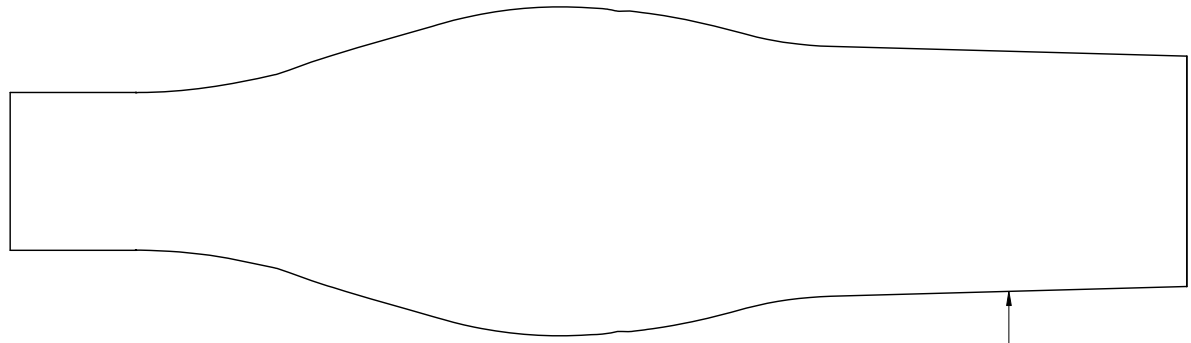


1
RoHS Compliance

6	7	8
REV	SYM	Revision Record
V0	KLS	New Version Release
		Appr. Song
		Date 2023-10-23

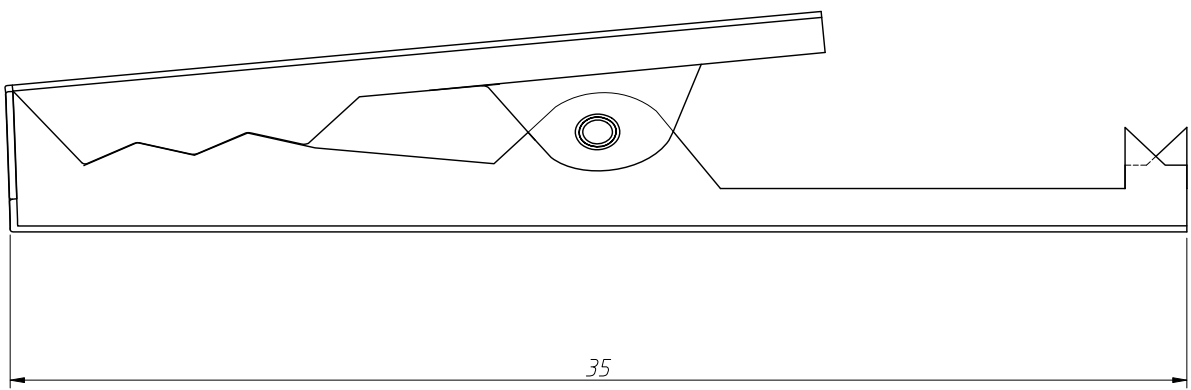


Sheath,60002 PVC

Notes:
 1.Material:
 Metal Parts:Iron,T=0.3mm,Nickel Plating
 Insulator:60002 PVC,Black

 2.Electric:
 Rated Current:5A
 Rated Voltage:600V
 Opening Stroke:8mm Max

Order Information
 L-KLS5-909-BK
 RoHS
 Insulator Colour:
 BK=Black RE=Red



ANGLE TOLERANCE	PROJECTION	Description:	5A 35mm Alligator Clips,Black	
±3°				
GENERAL TOLERANCE	UNITS	mm	KLS P/N:	L-KLS5-909
x.x ±0.30	SHEET SIZE	A4		
x.xx ±0.20	Draw:	Song	2023-10-23	NingBo KLS ELECTRONIC CO.,L TD.
x.xxx ±0.10	Check:	Daniel	2023-10-23	