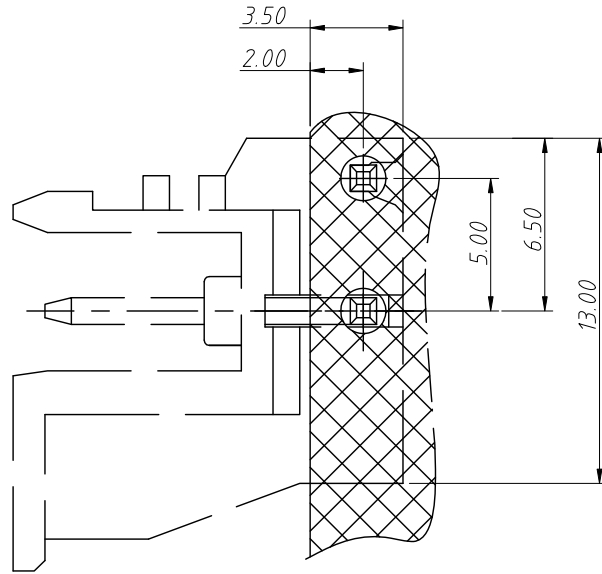
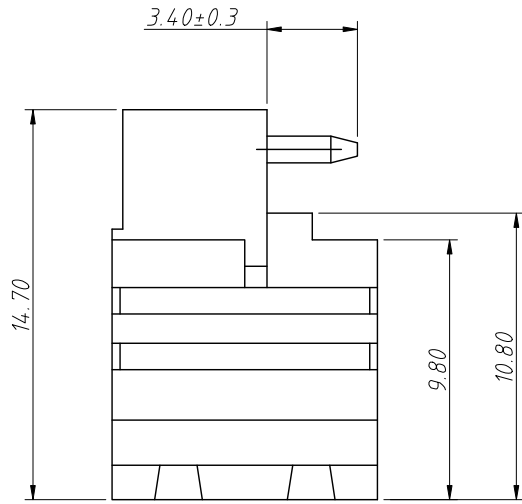
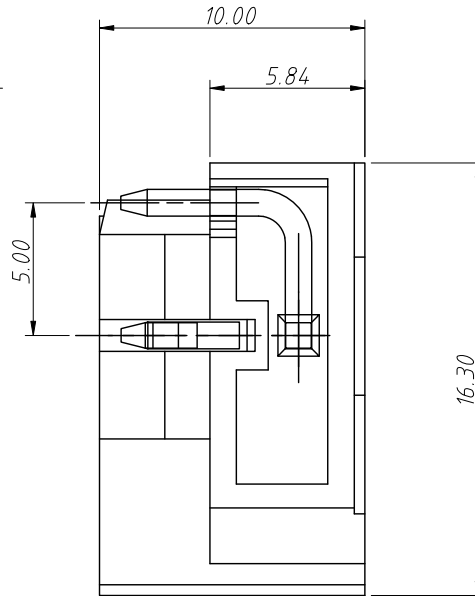
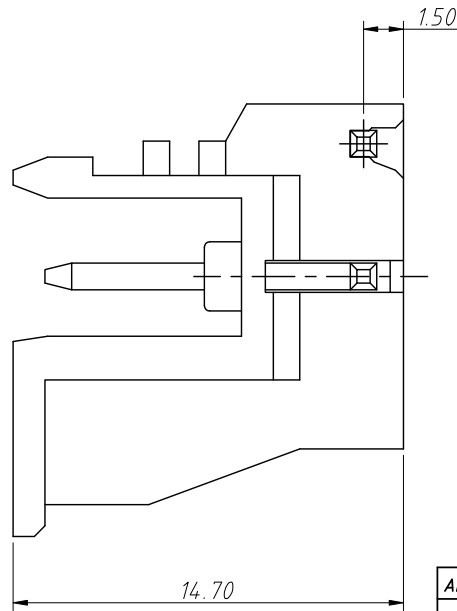
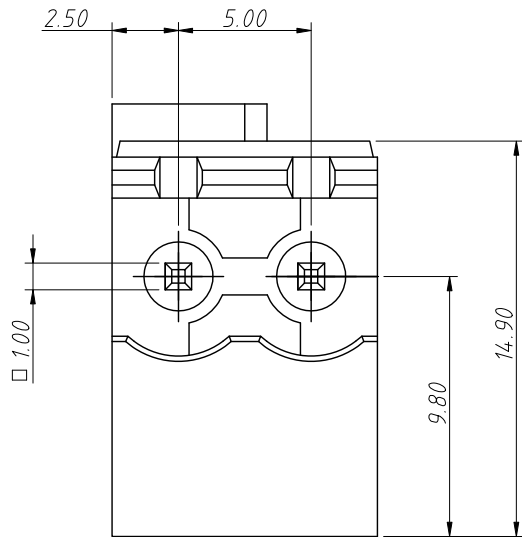


RoHS Compliance



Recommended PCB Layout



REV	SYM	Revision Record	Appr.	Date
V0	KLS02006	New Version Release	Song	2024-10-30
Electrical Characteristics		UL	IEC	
Rated Voltage		300V	320V	
Rated Current		12A	15A	
Withstand Voltage		AC2000V/1 min	---	

Material and other:
 Housing: PA66, UL 94V-0
 Pin Header: Copper Alloy, Sn Plated
 Contact Resistance: 20mΩ Max
 Insulation Resistance: 500MΩ/DC500V Min
 Temp. Range: -40°C ~ +105°C
 MAX Soldering: 250°C For 5S

Order Information

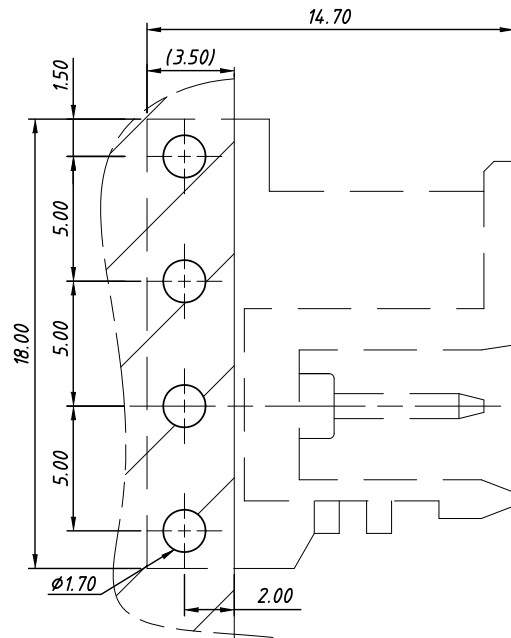
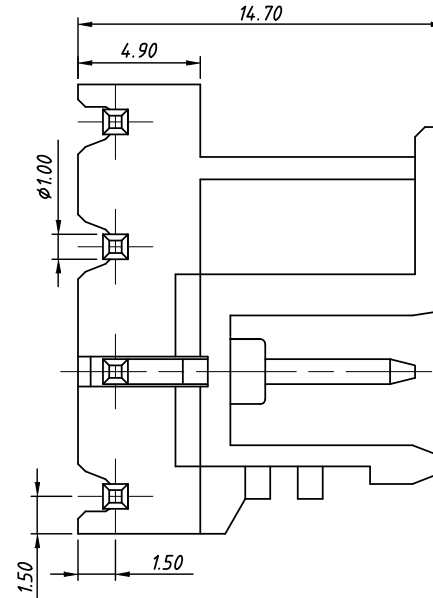
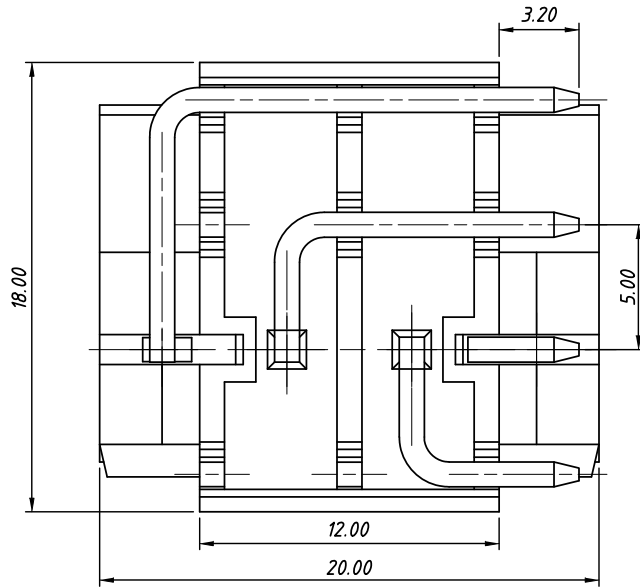
L-KLS2-EDRF-5.00-02P-X

RoHS
 Terminal Block
 Pitch: 5.00mm
 No.: Of 02 Pin
 Color:
 1=Gray 2=Blue 3=Black
 4=Green 5=Orange 6=Red
 7=Transp 8=Yellow 9=White

ANGLE TOLERANCE	PROJECTION	Description:	Pitch 5.00mm Terminal Block	
±3°				
GENERAL TOLERANCE	UNITS	mm	KLS P/N:	L-KLS2-EDRF-5.00-02P-X
0°~30° ±0.50	SHEET SIZE	A4		
30°~60° ±0.75	Draw:	Song	2024-10-30	
60°~90° ±1.00	Check:	Daniel	2024-10-30	

NingBo KLS ELECTRONIC CO.,L.TD.

1 RoHS Compliance



Recommended PCB Layout

REV	SYM	Revision Record	Appr.	Date
V0	KLS02006	New Version Release	Song	2024-10-30

Electrical Characteristics	UL	IEC
Rated Voltage	300V	320V
Rated Current	12A	15A
Withstand Voltage	AC2000V/1 min	---

Material and other:

Housing: PA66, UL 94V-0

Pin Header: Copper Alloy, Sn Plated

Contact Resistance: 20mΩ Max

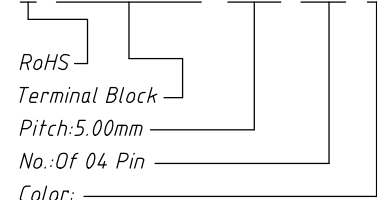
Insulation Resistance: 500MΩ/DC500V Min

Temp. Range: -40°C ~ +105°C

MAX Soldering: 250°C For 5S

Order Information

L-KLS2-EDRF-5.00-04P-X



- Color:
- 1=Gray 2=Blue 3=Black
 - 4=Green 5=Orange 6=Red
 - 7=Transp 8=Yellow 9=White

ANGLE TOLERANCE	PROJECTION	Description:	Pitch 5.00mm Terminal Block	
±3°				
GENERAL TOLERANCE	UNITS	mm	KLS P/N:	L-KLS2-EDRF-5.00-04P-X
0°~30° ±0.50	SHEET SIZE	A4		
30°~60° ±0.75	Draw:	Song	2024-10-30	
60°~90° ±1.00	Check:	Daniel	2024-10-30	



NingBo KLS ELECTRONIC CO.,L.TD.