

RoHS Compliance

1

2

3

4

5

6

7

8

REV	SYM	Revision Record	Appr.	Date
V0	KLS05089	New Version Release	Song	2024-12-02

Notes:

Material: Brass, Nickel Plated

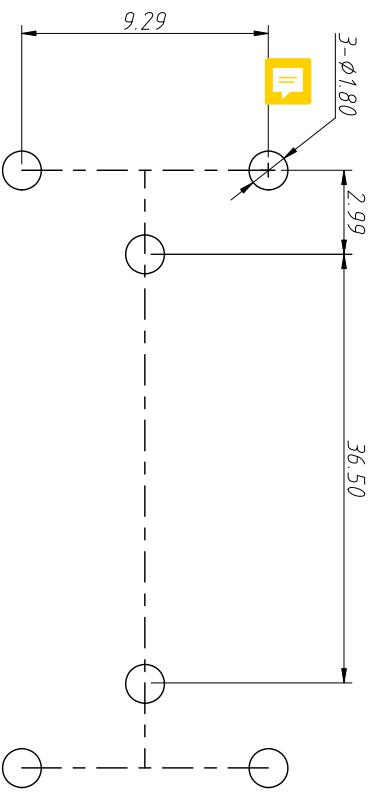
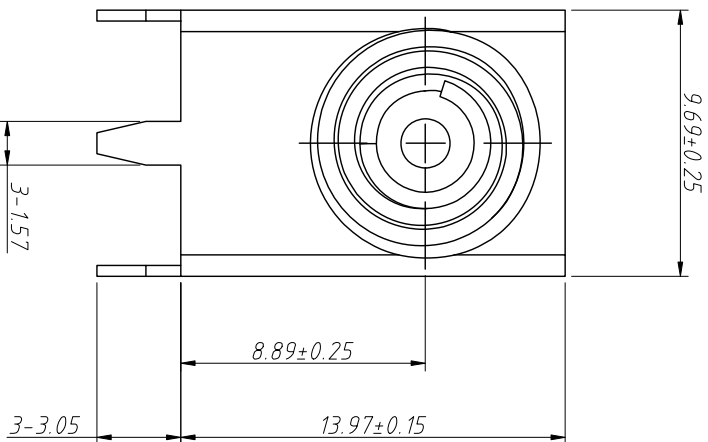
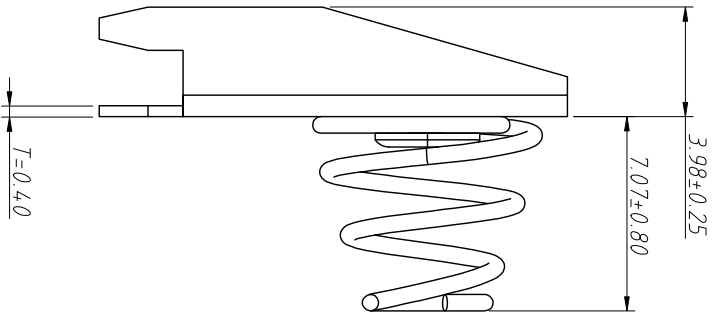
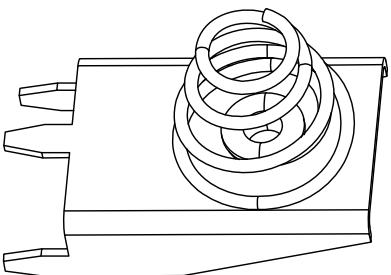
Electric:

Dielectric Voltage: 500V AC One Sec Level.

Contact Resistance: 30 mΩ Max.

Insulator Resistance: 100 MΩ Min.

Operating Temperature: -40°C ~ +85°C.



*Recommended PCB Layout
Tolerance: ±0.05mm*

ANGLE TOLERANCE	PROJECTION	Description:
-----------------	------------	--------------

±3°



Battery Holder

GENERAL TOLERANCE	UNITS	KLS P./N.
-------------------	-------	-----------

.X	±0.30	SHEET SIZE	mm	A4	L-KLS5-BC9V-07F
----	-------	------------	----	----	-----------------

.XX	±0.20	Draw:	Song	2024-12-02
-----	-------	-------	------	------------

.XXX	±0.10	Check:	Daniel	2024-12-02
------	-------	--------	--------	------------



Ningbo KLS ELECTRONIC CO.,LTD.

A

B

C

D

E

F

G

H

1

2

3

4

5

6

7

8

A

B

C

D

E

F

G

H