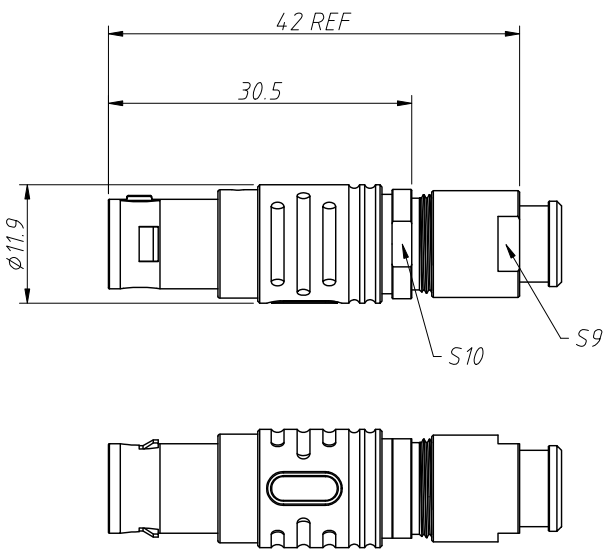


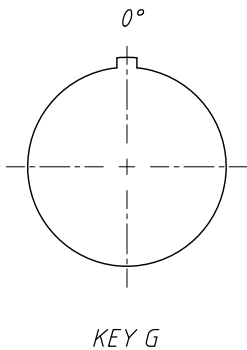
1
RoHS Compliance

7		8		
REV	SYM	Revision Record	Appr.	Date
V0	KLS15022	New Version Release	Song	2025-02-28



Material
 Body: Brass chrome plated shell and collet nut,
 nickel Plated Brass latch sleeve and mid pices
 Insulator:PPS
 Contact :Brass,3u" Gold Plated

Detailed product description:
 Protection grade:IP50
 Fit/cycle:4500 Cycles Min
 Working Temperature:-50°C ~ +200°C
 Termination Type:Solder
 Salt Spray:48H
 Humidity:95%(at 60°C/140F) Max
 Vibration:15g(10Hz-2000Hz)
 Shock Resistance:100g(6 ms)
 Shielding Efficiency(min):75dB(10 MHz)
 Shielding Efficiency(min):40dB(1 GHz)
 CABLE OD:3.3 ~ 7.5mm



Pin	Contacts	Terminal ϕ	Rated Current	Test Voltage(KV RMS)		Wire Range Sizes(AWG)
				Pin-Pin	Pin-Shell	
FGG.1B.302	1-2	1.3	15A	1.50	1.35	20 Max
FGG.1B.303	1-3	1.3	12A	1.30	1.55	20 Max
FGG.1B.304	1-4	0.9	10A	1.35	1.45	22 Max
FGG.1B.305	1-5	0.9	9A	1.25	1.15	22 Max
FGG.1B.306	1-6	0.7	7A	1.05	1.20	22 Max
FGG.1B.307	1-7	0.7	7A	0.95	1.05	22 Max
FGG.1B.308	1-8	0.7	5A	0.95	1.15	22 Max
FGG.1B.310	1-10	0.5	2.5A	0.90	1.50	28 Max
FGG.1B.312	1-12	0.5	2A	0.80	1.20	28 Max
FGG.1B.314	1-14	0.5	2A	0.80	1.20	28 Max
FGG.1B.316	1-16	0.5	1.5A	0.80	0.95	28 Max

ANGLE TOLERANCE	PROJECTION	Description:	Metal Circular Connector	
$\pm 3^\circ$				
GENERAL TOLERANCE	UNITS	mm	KLS P/N:	L-KLS15-B-FGG.1B.3XX
.x ± 0.50	SHEET SIZE	A4		
.xx ± 0.20	Draw:	Song	2025-02-28	NingBo KLS ELECTRONIC CO.,L TD.
	Check:	Daniel	2025-02-28	