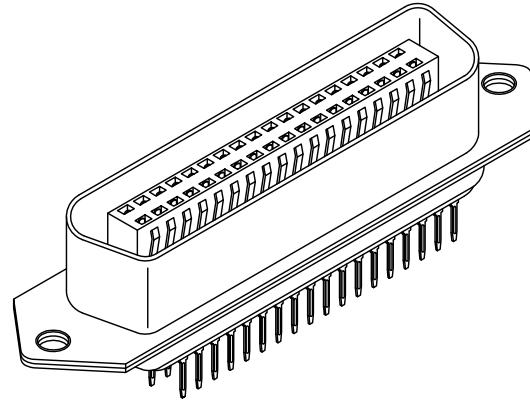
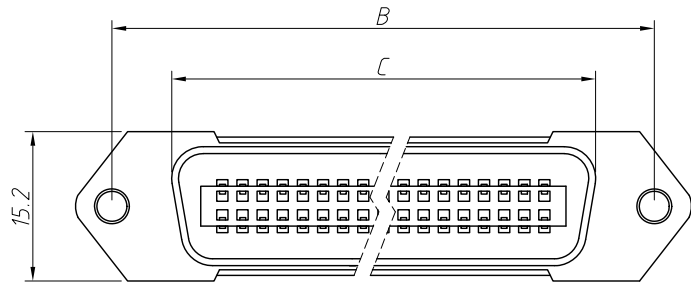


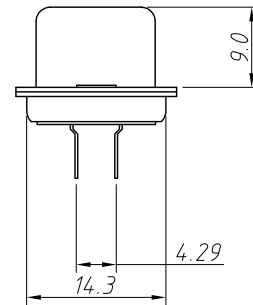
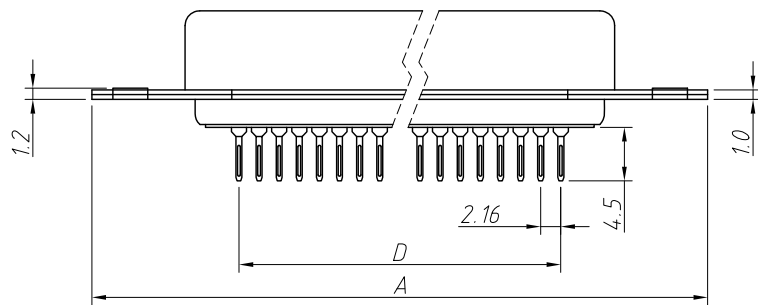
1 RoHS Compliance

REV	SYM	Revision Record	Appr.	Date
V0	KLS01545	New Version Release	WuHao	2025-02-26

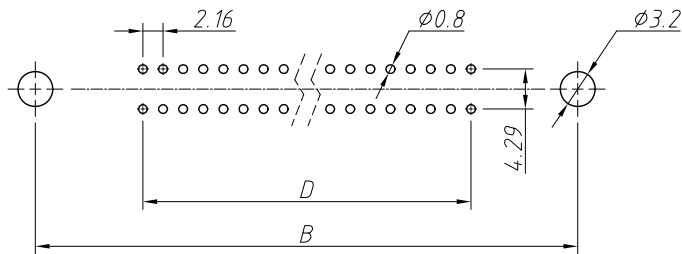


Material:
 Insulator: PBT Glass Filled, UL94V-0
 Contact: Phosphor bronze,
 Gold Flash Plated On Contact Area,
 Tin Plated On Solder Tail,
 Ni Under Plated All Over.
 Shell: Steel, Nickel Over Copper Plated
 Hood: Steel, Nickel Over Copper Plated

Electrical Characteristics:
 Current Rating: 1.0 Amp
 Insulator Resistance: 1000M Ω Min(at 500V)
 Contact Resistance: 25m Ω Max
 Withstanding Voltage: 1000V AC/Minute
 Temperature: -55 $^{\circ}$ C ~ +105 $^{\circ}$ C



Order Information:
 L-KLS1-181-57B-24-M-L-N
 L: RoHS
 PCB Type
 No. of 14~50 pins
 Connector Type: M-Male
 Insulator Color:
 L-Blue B-Black
 Without Latch



Recommended PCB Layout
 Tolerance: ± 0.05 mm

Pin	Dimensions(mm)			
	A ± 0.13	B ± 0.1	C ± 0.13	D ± 0.13
14	43.7	35.99	25.6	12.96
24	54.5	46.79	36.47	23.76
36	67.6	59.74	49.35	36.72
50	82.8	74.85	64.47	51.84

ANGLE TOLERANCE	PROJECTION	Description:	D-SUB Connector, PCB Type Straight, Male, Without Latch
$\pm 3^{\circ}$			
GENERAL TOLERANCE	UNITS	mm	KLS P/N:
.x ± 0.38	SHEET SIZE	A4	L-KLS1-181-57B-XX-M-X-N
.xx ± 0.25	Draw:	WuHao	2025-02-26
.xxx ± 0.13	Check:	Daniel	2025-02-26



NingBo KLS ELECTRONIC CO., L TD.

RoHS Compliance

REV	SYM	Revision Record	Appr.	Date
V0	KLS01545	New Version Release	Song	2025-02-12

Material:

Insulator: PBT Glass Filled, UL 94V-0

Contact: Phosphor bronze,

Gold Flash Plated On Contact Area,

Tin Plated On Solder Tail,

Ni Under Plated All Over.

Shell: Steel, Nickel Over Copper Plated

Hood: Steel, Nickel Over Copper Plated

Electrical Characteristics:

Current Rating: 1.0 Amp

Insulaor Resistance: 1000M Ω Min(at 500V)

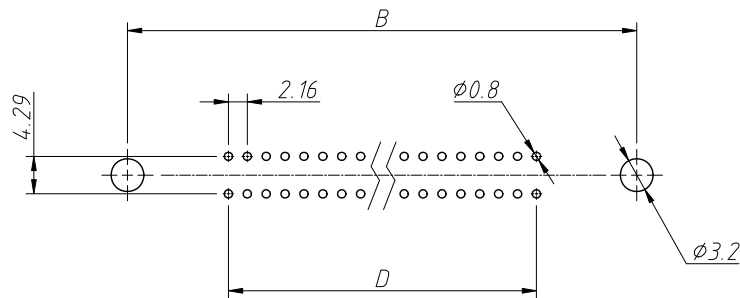
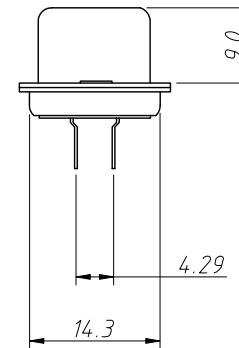
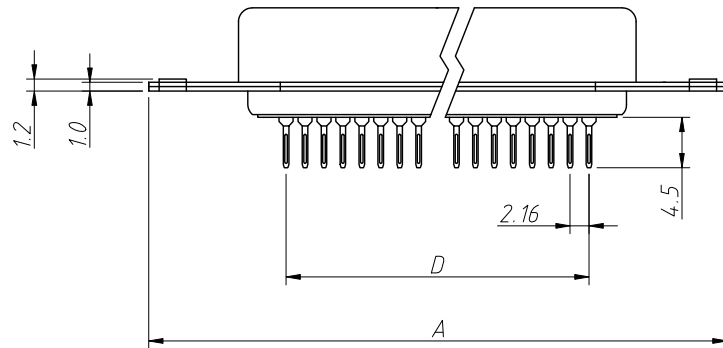
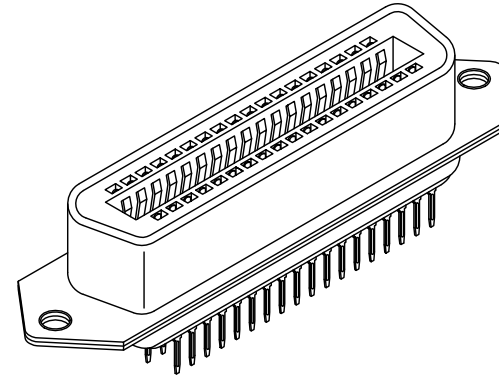
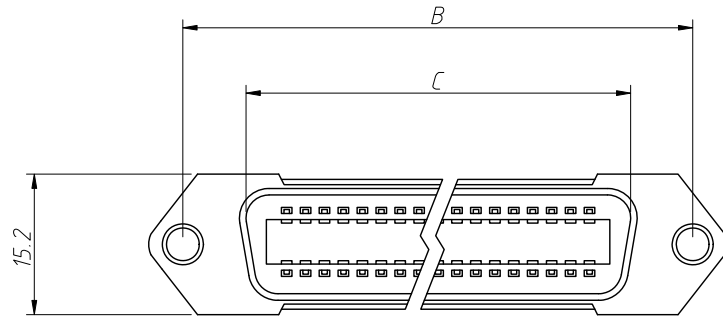
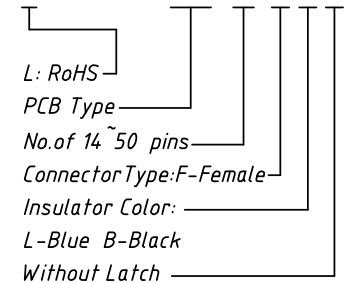
Contact Resistance: 25m Ω Max

Withstanding Voltage: 1000V AC/Minute

Temperature: -55 $^{\circ}$ C ~ + 105 $^{\circ}$ C

Order Information:

L-KLS1-181-57B-24-F-L-N



Recommended PCB Layout
Tolerance: ± 0.05 mm

Pin	Dimensions(mm)			
	A ± 0.13	B ± 0.1	C ± 0.13	D ± 0.13
14	43.7	35.99	25.2	12.96
24	54.5	46.79	36.0	23.76
36	67.6	59.74	48.9	36.72
50	82.8	74.85	64.0	51.84

ANGLE TOLERANCE	PROJECTION	Description:	D-SUB Connector, PCB Type Straight, Female, Without Latch
$\pm 3^{\circ}$			
GENERAL TOLERANCE	UNITS	mm	KLS P/N:
.x ± 0.38	SHEET SIZE	A4	L-KLS1-181-57B-XX-F-X-N
.xx ± 0.25	Draw:	Song	2025-02-12
.xxx ± 0.13	Check:	Daniel	2025-02-12



NingBo KLS ELECTRONIC CO., L TD.