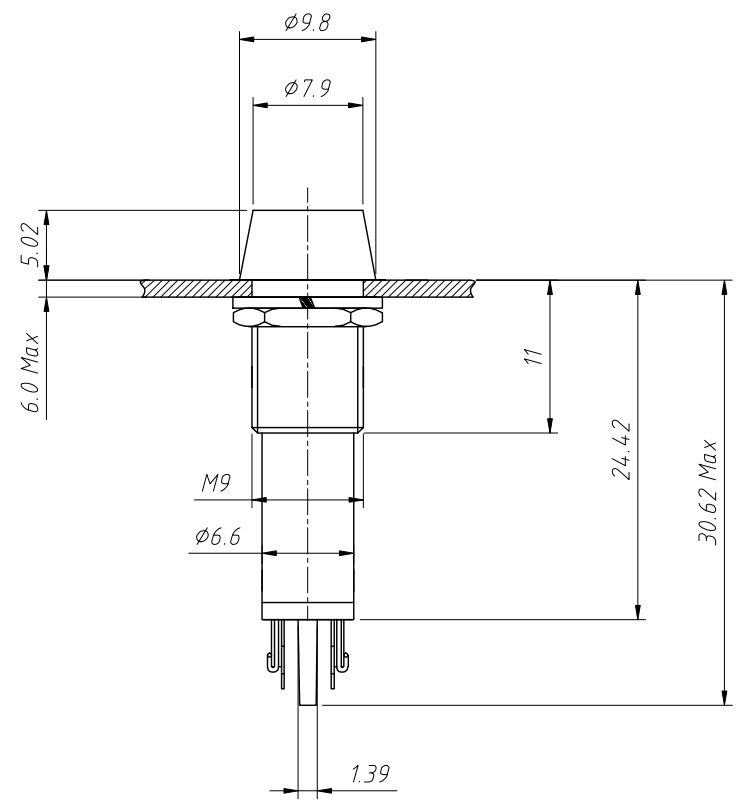


1
RoHS Compliance

6		7		8	
REV	SYM	Revision Record		Appr.	Date
V0	KLS07070	New Version Release		Jenny	2024-12-06



Specification:
 Colloid: ABS
 Shell: Copper, Nickel plated
 Use voltage: 120V
 Mounting Hole: $\phi 9$ mm
 Emitting colors: Red, Green, Yellow

Order Information:
 KLS9-IL-M9-03A-X
 Function: _____
 R = Red Lamp
 Y = Yellow Lamp
 G = Green Lamp

ANGLE TOLERANCE	PROJECTION	Description:			
$\pm 3^\circ$		LED Indicator Light			
GENERAL TOLERANCE	UNITS	mm	KLS P/N:		
x.x ± 0.30	SHEET SIZE	A4	KLS9-IL-M9-03A		
x.xx ± 0.20	Draw:	Jenny	2024-12-06	NingBo KLS ELECTRONIC CO.,L TD.	
x.xxx ± 0.10	Check:	Daniel	2024-12-06		