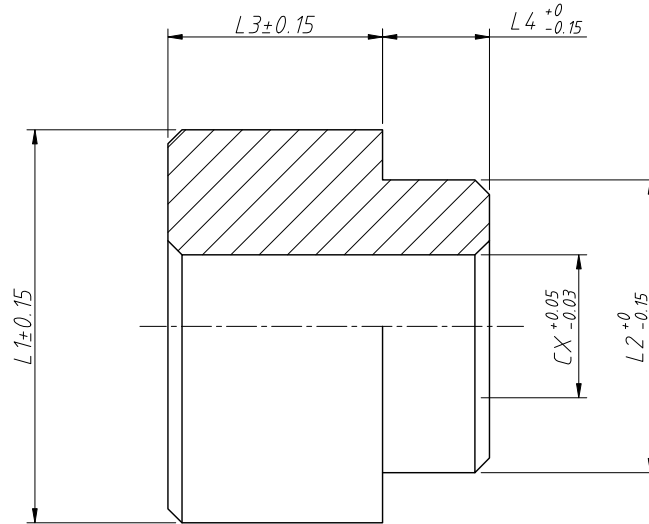
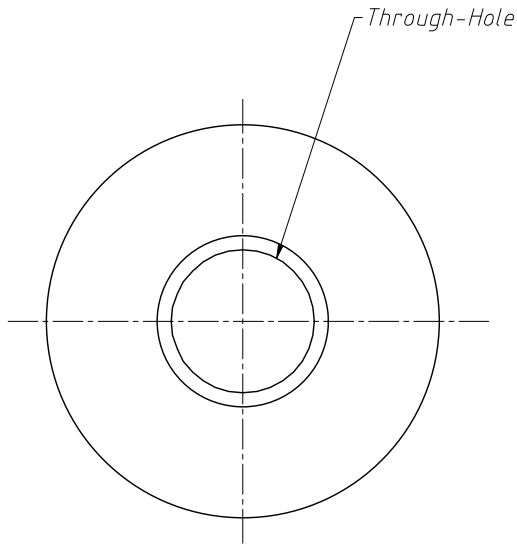


1
RoHS Compliance

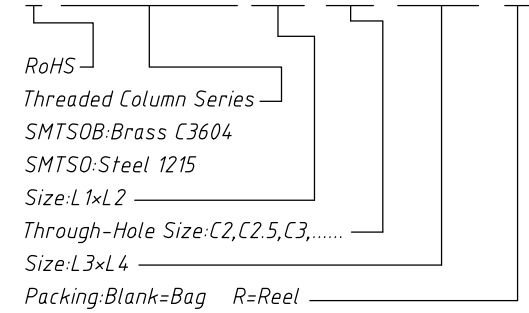
6	7	8
REV	SYM	Revision Record
V0	KLS33001	New Version Release
		Appr. Song
		Date 2025-02-06



Material:Brass C3604/Steel 1215,Tin Plated

Order Information

L-KLS8-SMTSOB 5035-C2.5-10.0+1.5+(R)



Dimension Antitheses List (mm)

ITEM	L1	L2	L3	L4	CX
4027	ø4.00	ø2.70	1.57,2.0,2.5,3.0,4.0,4.5, 5.0,5.5,6.0,8.0,10.0..... (Customization)	0.9,1.1,1.4,1.5,2.5..... (Customization)	ø2.0 ø2.5 ø2.7 ø3.0.....
4030	ø4.00	ø3.00			
4328	ø4.35	ø2.80			
5035	ø5.00	ø3.50			
5036	ø5.00	ø3.60			
6042	ø6.00	ø4.20			
5536	ø5.56	ø3.60			
5541	ø5.56	ø4.09			
...			

ANGLE TOLERANCE	PROJECTION	Description:	Spacer Column		
±3°					
GENERAL TOLERANCE	UNITS	mm	KLS P/N:	L-KLS8-SMTSO(B)L1L2-CX-L3+L4+(R)	
x. ±0.20	SHEET SIZE	A4			
x.x ±0.10	Draw:	Song	2025-02-06	NingBo KLS ELECTRONIC CO.,L TD.	
x.xx ±0.05	Check:	Daniel	2025-02-06		