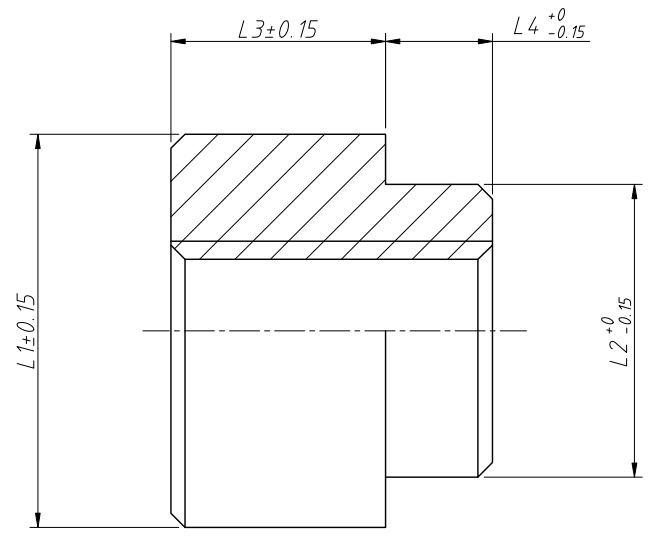
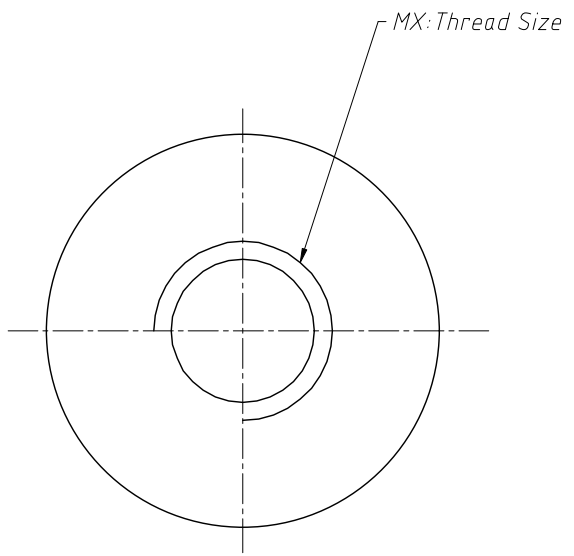


1
RoHS Compliance

6	7	8		
REV	SYM	Revision Record	Appr.	Date
V0	KLS33001	New Version Release	Song	2025-02-06



Material: Brass C3604/Steel 1215, Tin Plated

Order Information
 L-KLS8-SMTSOB 5035-M2.5-10.0+1.5+(R)
 RoHS
 Threaded Column Series
 SMTSOB: Brass C3604
 SMTSO: Steel 1215
 Size: L1×L2
 Thread Size: M2, M2.5, M3
 Size: L3×L4
 Packing: Blank=Bag R=Reel

Dimension Antitheses List (mm)

ITEM	L1	L2	L3	L4	MX
4027	∅4.00	∅2.70	1.57, 2.0, 2.5, 3.0, 4.0, 4.5, 5.0, 5.5, 6.0, 8.0, 10.0..... (Customization)	0.9, 1.1, 1.4, 1.5, 2.5..... (Customization)	M2×0.4 M2.5×0.45 M3×0.5
4030	∅4.00	∅3.00			
4328	∅4.35	∅2.80			
5035	∅5.00	∅3.50			
5036	∅5.00	∅3.60			
6042	∅6.00	∅4.20			
5536	∅5.56	∅3.60			
5541	∅5.56	∅4.09			
...			

ANGLE TOLERANCE	PROJECTION	Description:	Spacer Column		
±3°					
GENERAL TOLERANCE	UNITS	mm	KLS P/N:	L-KLS8-SMTSO(B) L2-MX-L3+L4+(R)	
x. ±0.20	SHEET SIZE	A4			
x.x ±0.10	Draw:	Song	2025-02-06	NingBo KLS ELECTRONIC CO.,L TD.	
x.xx ±0.05	Check:	Daniel	2025-02-06		