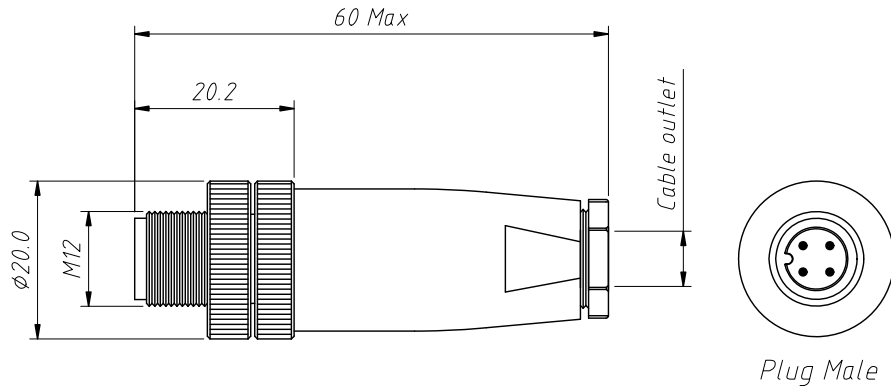
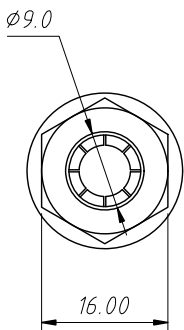
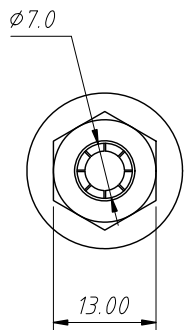


1 RoHS Compliance

Cable outlet
PG7

Cable outlet
PG9



Material:

Insulation: PBT/PA, UL 94 V-0, Black.

Connector Pin: Brass, 0.025u" Gold plated

Nut/Screw: Brass, Nickel plating

Electrical Characteristics:

Contact Resistance: 5mΩ Max

Insulation resistance: 100 MΩ Min

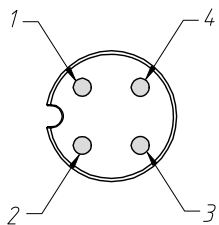
Mechanical properties:

IP rating: IP67

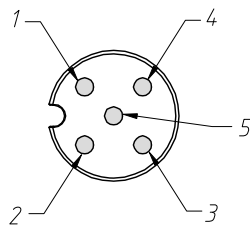
Wire gauge: 24AWG/0.25mm²

Mechanical characteristics: mating/cycle > 100 cycle

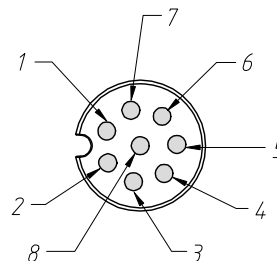
Operating Temperature: -40°C ~ + 85°C



04P



05P



08P

Insulator Coded

Coded	
A	
B	
D	

Order Information:

L-KLS15-M12 X-P1 XX PGX

L: RoHS

Screw type: M12

Insulator Coded

Type:

P1: Plug Code (Male Pin)

P2: Plug Code (Female Pin)

Number of Contacts:

(04P 05P 08P)]

Cable outlet PG7 or PG9

No. of Pin	04 P	05 P	08 P
Rated current	4A	4A	2A
Rated voltage	250V	60V	30V

ANGLE TOLERANCE	PROJECTION	Description:
±3°		Cable plug connector, Metal lock Automation technology, M12
GENERAL TOLERANCE	UNITS	mm
x.x ±0.30	SHEET SIZE	A4
x.xx ±0.20	Draw:	Jenny 2022-04-01
x.xxx ±0.10	Check:	Daniel 2022-04-01



NingBo KLS ELECTRONIC CO.,LTD.