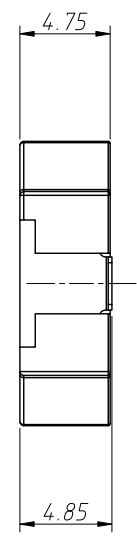
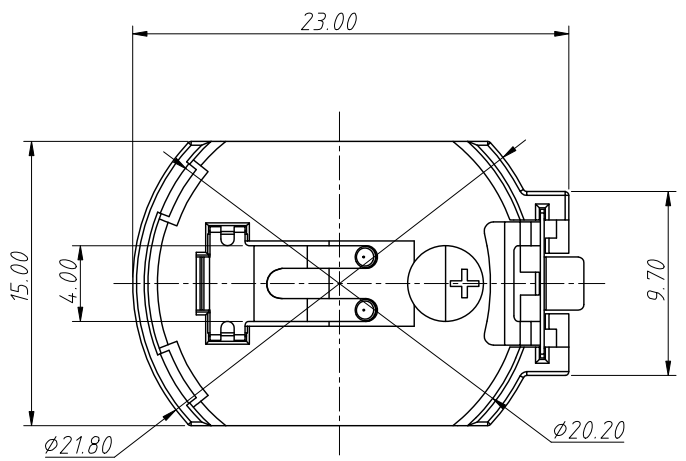


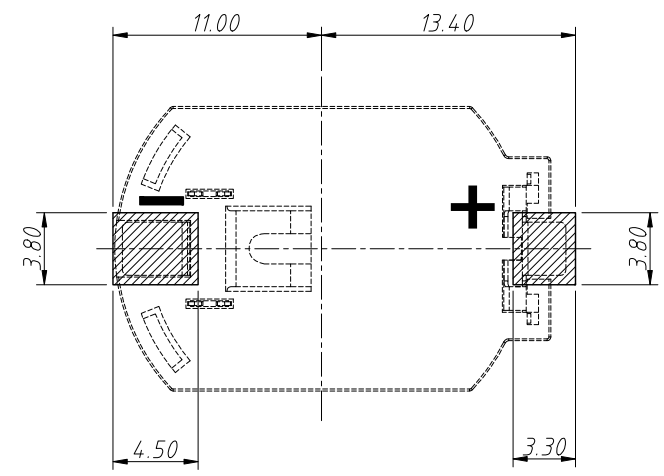
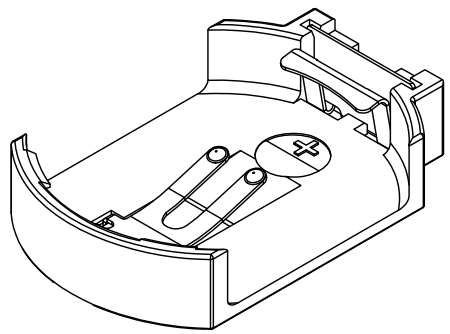
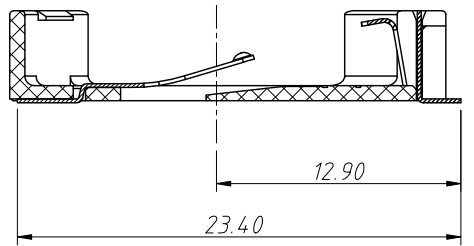
1
RoHS Compliance

6	7	8
REV	SYM	Revision Record
V0	KLS05047	New Version Release
		Appr. Song
		Date 2025-02-18

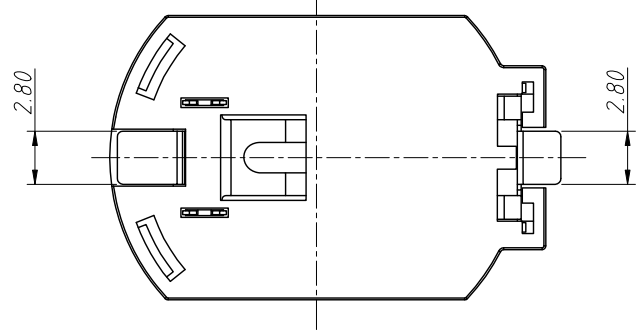


Material:
 Housing: PPA 94HB, OFF White
 Contacts: Phosphor Bronze, T=0.2, Gold Plating

Electrical :
 Contact Resistance: 30 Milliohms Max
 Insulator Resistance: 100 Megaohms Min
 Dielectric Voltage: 500V AC One Minute
 Operating Temperature: -25°C ~ +85°C



Recommended PCB Layout
 Tolerance: ±0.05mm



ANGLE TOLERANCE	PROJECTION	Description:	Battery Holder	
±1°				
GENERAL TOLERANCE	UNITS	mm	KLS P/N:	L-KLS5-CR2032-56
.x ±0.25	SHEET SIZE	A4		
.xx ±0.20	Draw:	Song	2025-02-18	NingBo KLS ELECTRONIC CO.,L TD.
.xxx ±0.10	Check:	Daniel	2025-02-18	