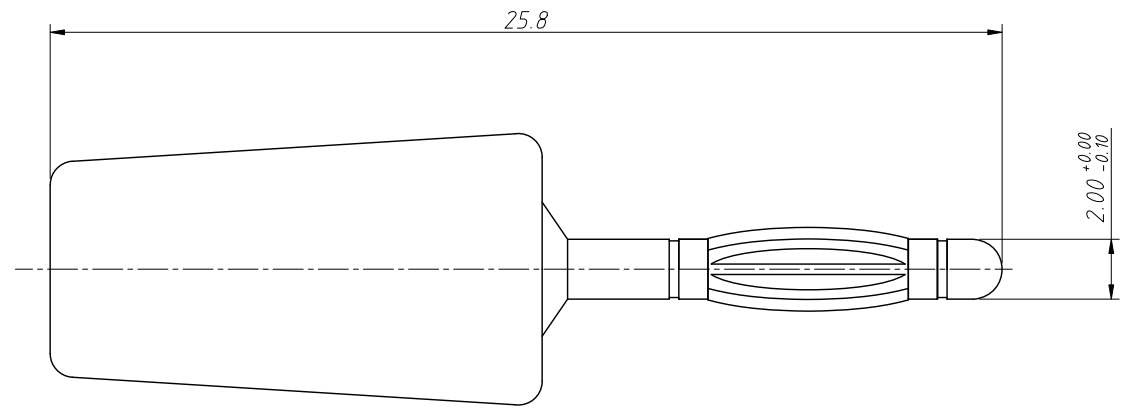


1
RoHS Compliance

6		7		8	
REV	SYM	Revision Record		Appr.	Date
V0	KLS01536	New Version Release		Song	2025-02-19



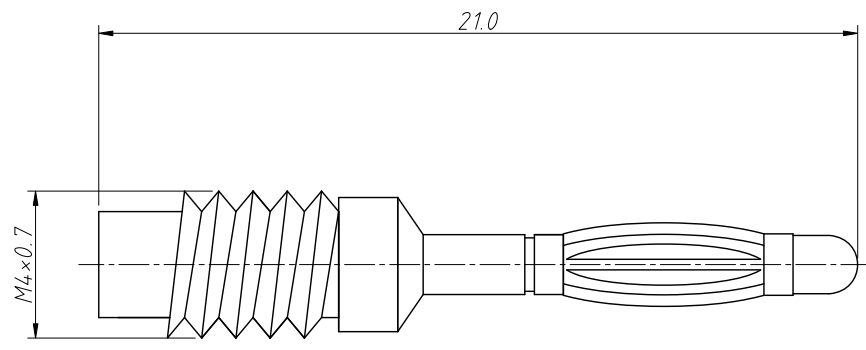
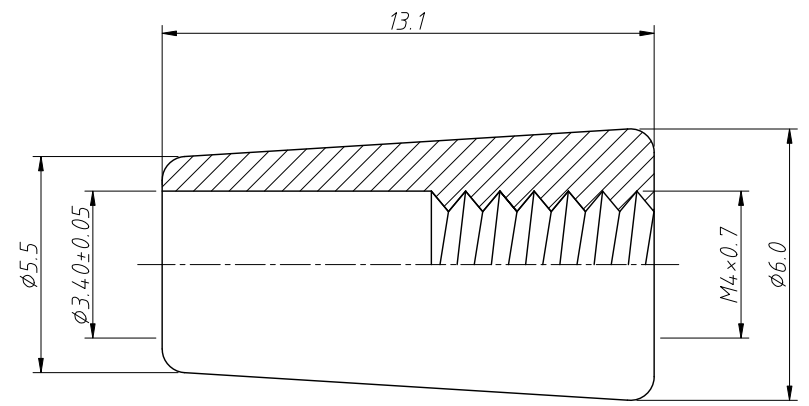
Assembly Dimensions

Material:
Housing: ABS
Contact: Brass, Gold Plated/Nickel Plating

Rated: 3A 125V

Order Information:
L-KLS1-BAP-009-N-B

L: RoHS
 Banana plug
 Serial number
 Plated Code:
 N-Nickel Plated G-Gold Plated
 Color: B-Black G-Green
 L-Blue R-Red Y-Yellow



ANGLE TOLERANCE	PROJECTION	Description:			
±3°		2mm Banana Plug			
GENERAL TOLERANCE	UNITS	mm	KLS P/N:	L-KLS1-BAP-009-X-X	
.x ±0.30	SHEET SIZE	A4		NingBo KLS ELECTRONIC CO.,L TD.	
.xx ±0.20	Draw:	Song	2025-02-19		
.xxx ±0.10	Check:	Daniel	2025-02-19		