

1 RoHS Compliance

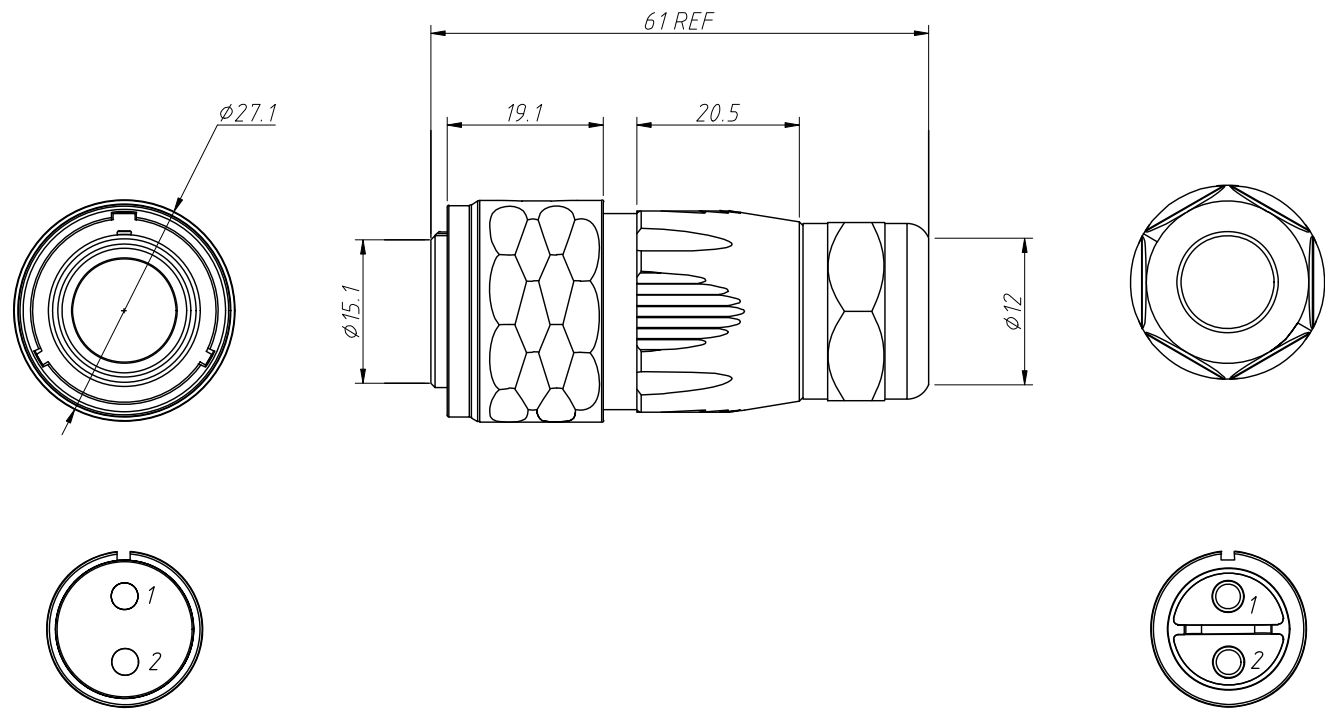
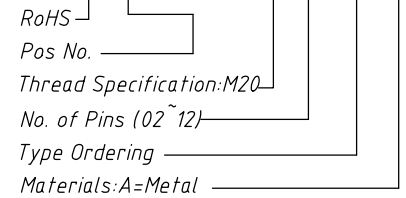
REV	SYM	Revision Record	Appr.	Date
V0	KLS15032	New Version Release	Song	2025-01-07

Material:
Shell: Zinc Alloy, Chrome Plated
Contact: Brass, Gold Plated

Electrical:
Coupling: Push-Pull Self-Locking
Termination: Solder
Cable Outer Diameter: 5~12mm
IP Rating: IP68
Temperature: -25°C ~ +80°C

Order Information

L-KLS15-282-M20-XX F2-A



Number Of CONTACT	02	03	04	05	07	09	12
Male Contact Face View							
Rated Current (A)	20A	20A	20A	10A	10A	5A	5A
Contact Diameter	φ2.7×2	φ2.7×3	φ2.7×4	φ1.8×5	φ1.8×7	φ1.0×9	φ1.0×12
Rated Voltage (AC.V)	500V	500V	500V	250V	250V	250V	250V
Test Voltage (AC.V) 1Min	1500V	1500V	1500V	1500V	1500V	1500V	1500V
Contact Resistance mΩ	1	1	1	2.5	2.5	5	5
Wire Size Soler mm ² /AWG	≤2.5/13.6	≤2.5/13.6	≤2.5/13.6	≤1.5/15	≤1.5/15	≤1.0/18	≤1.0/18

ANGLE TOLERANCE	PROJECTION	Description:	IP68 Waterproof Circular Connectors	
±3°				
GENERAL TOLERANCE	UNITS	mm	KLS P/N:	L-KLS15-282-M20-XXF2-A
x. ±0.20	SHEET SIZE	A4		
x.x ±0.10	Draw:	Song	2025-01-07	NingBo KLS ELECTRONIC CO.,L TD.
x.xx ±0.05	Check:	Daniel	2025-01-07	