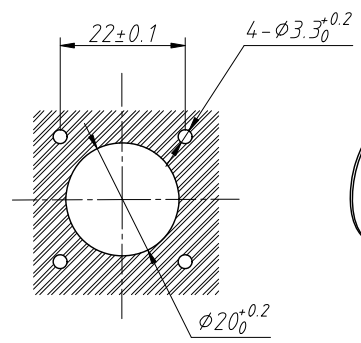
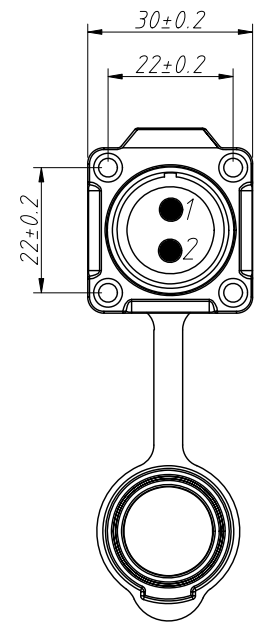
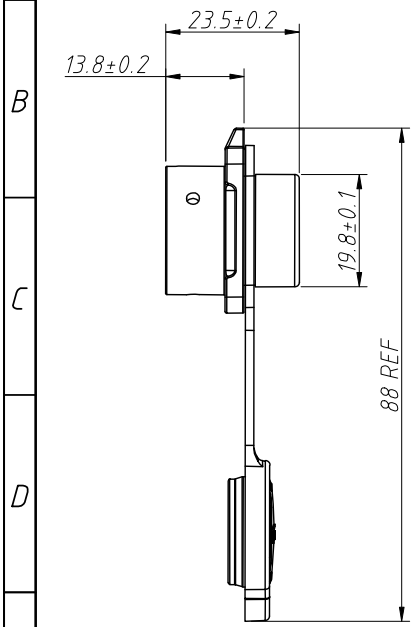
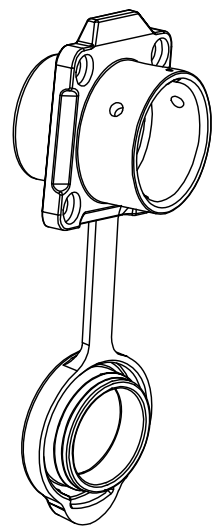


1
RoHS Compliance

7		8		
REV	SYM	Revision Record	Appr.	Date
V0	KLS15032	New Version Release	WuHao	2025-01-09



Mounting Dimension



Material:
Housing:PBT,UL 94 V-0
Contact:Brass,Gold Plated

Electrical:
Coupling:Push-Pull Self-Locking
Termination:Solder
Cable Outer Diameter:5~12mm
IP Waterproof Grade:IP68
Temp. Range:-25°C~+80°C

Bundled:
4-M3×12 Screw
4-M3 Nut

Number Of CONTACT	02	03	04	05	07	09	12
Male Contact Face View							
Rated Current (A)	20A	20A	20A	10A	10A	5A	5A
Contact Diameter	φ2.7×2	φ2.7×3	φ2.7×4	φ1.8×5	φ1.8×7	φ1.0×9	φ1.0×12
Rated Voltage (AC.V)	500V	500V	500V	250V	250V	250V	250V
Test Voltage (AC.V) 1Min	1500V	1500V	1500V	1500V	1500V	1500V	1500V
Contact Resistance mΩ	1	1	1	2.5	2.5	5	5
Wire Size Soler mm ² /AWG	≤2.5/13.6	≤2.5/13.6	≤2.5/13.6	≤1.5/15	≤1.5/15	≤1.0/18	≤1.0/18

Order Information
L-KLS15-282-M20-XX M4

RoHS
Pos No. _____
Thread Specification:M20
No. of Pins (02~12) _____
Type Ordering _____

ANGLE TOLERANCE	PROJECTION	Description:		
±15°		IP68 Waterproof Circular Connectors		
GENERAL TOLERANCE	UNITS	mm	KLS P/N:	L-KLS15-282-M20-XXM4
x. ±0.20	SHEET SIZE	A4		
x.x ±0.10	Draw:	WuHao	2025-01-09	
x.xx ±0.05	Check:	Daniel	2025-01-09	

NingBo KLS ELECTRONIC CO.,L TD.