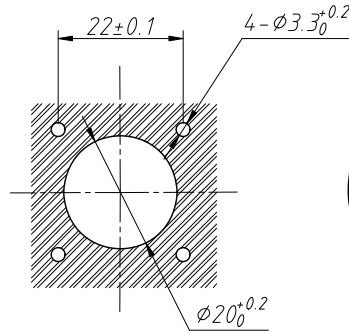
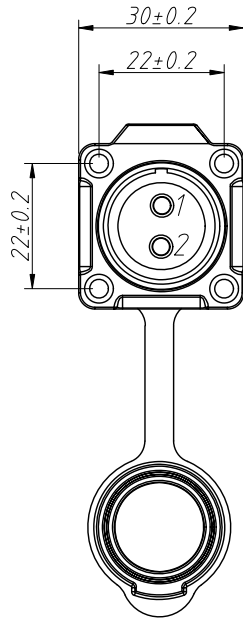
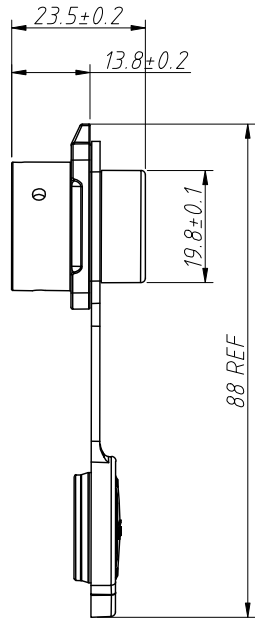
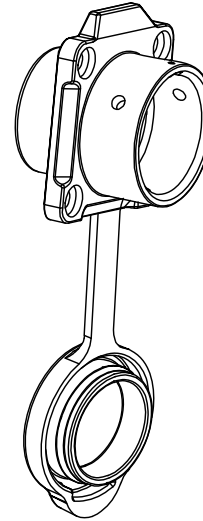


1 RoHS Compliance

REV	SYM	Revision Record	Appr.	Date
V0	KLS15032	New Version Release	WuHao	2025-01-08



Mounting Dimension



Material:  
Housing:PBT,UL 94 V-0  
Contact:Brass,Gold Plated

Electrical:  
Coupling:Push-Pull Self-Locking  
Termination:Solder  
Cable Outer Diameter:5~12mm  
IP Waterproof Grade:IP68  
Temp. Range:-25°C~+80°C

Bundled:  
4-M3×12 Screw  
4-M3 Nut

Number Of Contact	02	03	04	05	07	09	12
Male Contact Face View							
Rated Current (A)	20A	20A	20A	10A	10A	5A	5A
Contact Diameter	∅2.7×2	∅2.7×3	∅2.7×4	∅1.8×5	∅1.8×7	∅1.0×9	∅1.0×12
Rated Voltage (AC.V)	500V	500V	500V	250V	250V	250V	250V
Test Voltage (AC.V) 1Min	1500V	1500V	1500V	1500V	1500V	1500V	1500V
Contact Resistance mΩ	1	1	1	2.5	2.5	5	5
Wire Size Soler mm <sup>2</sup> /AWG	≤2.5/13.6	≤2.5/13.6	≤2.5/13.6	≤1.5/15	≤1.5/15	≤1.0/18	≤1.0/18

Order Information

L-KLS15-282-M20-XX M3

RoHS   
Pos No.   
Thread Specification:M20   
No. of Pins (02~12)   
Type Ordering

ANGLE TOLERANCE	PROJECTION	Description:	IP68 Waterproof Circular Connectors		
±15°					
GENERAL TOLERANCE	UNITS	mm	KLS P/N:	L-KLS15-282-M20-XXM3	
x. ±0.20	SHEET SIZE	A4			
x.x ±0.10	Draw:	WuHao	2025-01-08	NingBo KLS ELECTRONIC CO.,L TD.	
x.xx ±0.05	Check:	Daniel	2025-01-08		