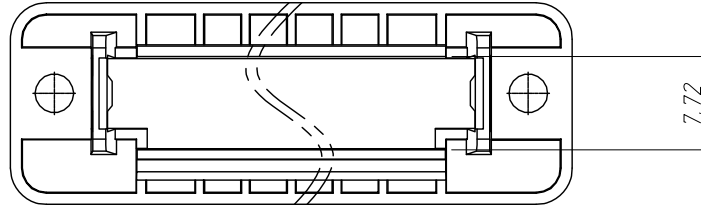
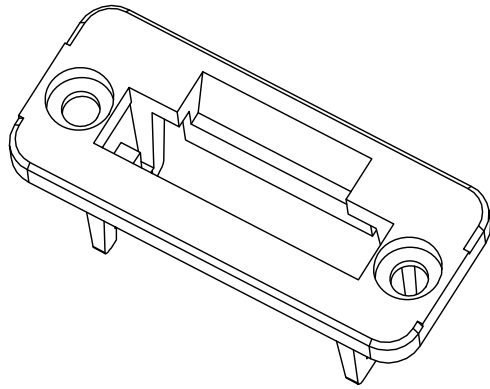
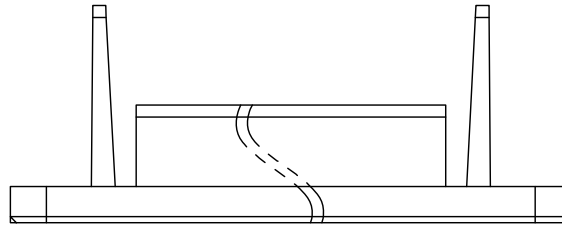


1 RoHS Compliance

6	7	8		
REV	SYM	Revision Record	Appr.	Date
V0	KLS02006	New Version Release	Song	2024-08-15

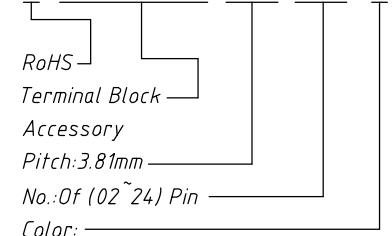


Material and other:
 Housing:PA66, UL94V-0
 Temp.Range:-40°C ~ +105°C

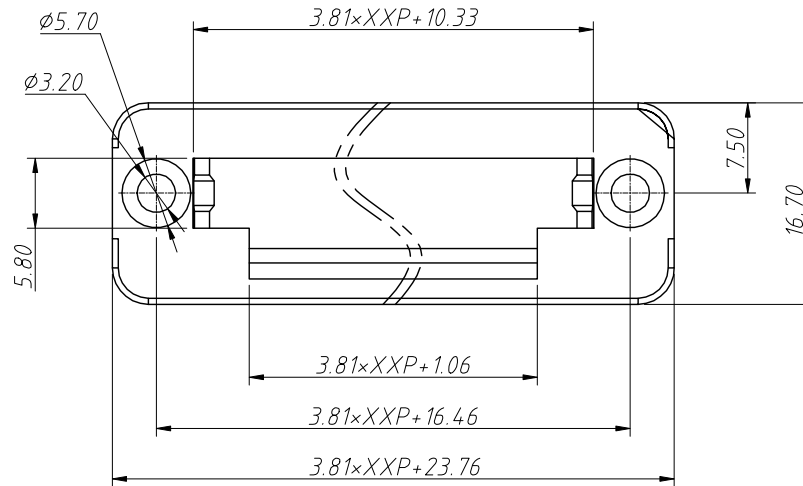
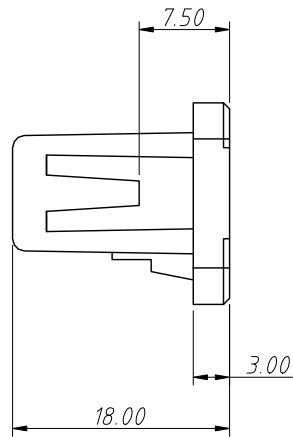


Order Information

L-KLS2-EM01-3.81-XXP-X



- Color:
- | | | |
|----------|----------|---------|
| 1=Gray | 2=Blue | 3=Black |
| 4=Green | 5=Orange | 6=Red |
| 7=Transp | 8=Yellow | 9=White |



ANGLE TOLERANCE	PROJECTION	Description:
$\pm 3^\circ$		Terminal Blocks Accessory
GENERAL TOLERANCE	UNITS	mm
0~30	± 0.50	KLS P/N:
30~60	± 0.75	SHEET SIZE
60~90	± 1.00	A4
	Draw:	Jenny
	Check:	Daniel
		2024-08-15
		2024-08-15



NingBo KLS ELECTRONIC CO.,LTD.