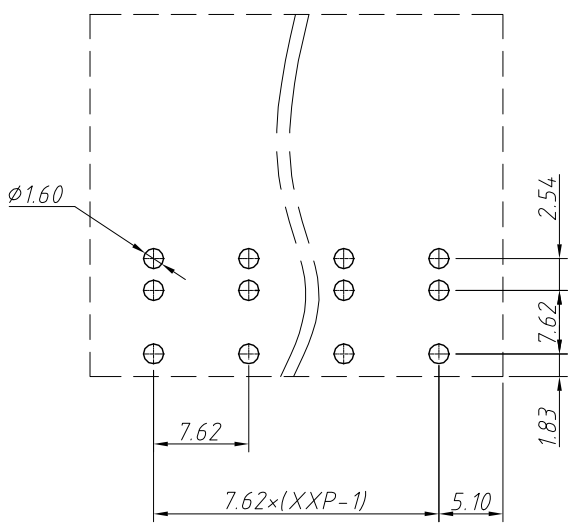
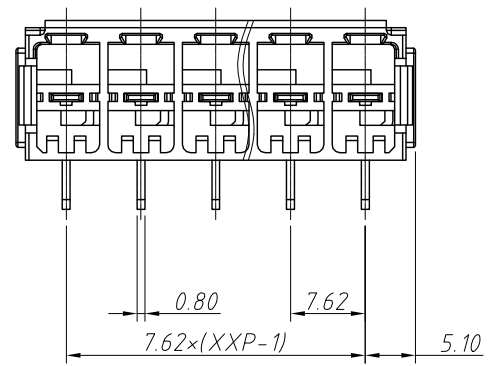


1  
RoHS Compliance

6	7	8
REV	SYM	Revision Record
V0	KLS02006	New Version Release
		Appr.
		WuHao
		Date
		2024-09-27

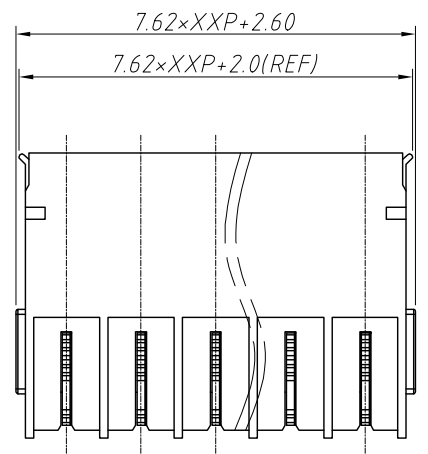
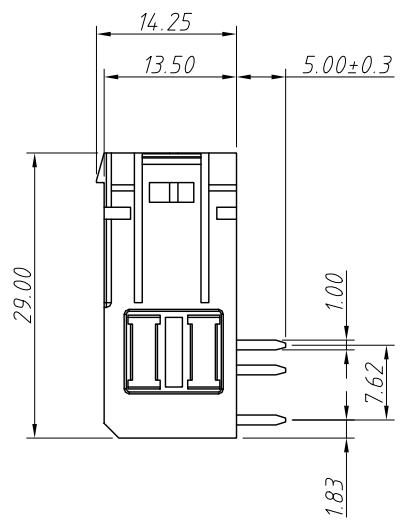


Recommended PCB Layout



Electrical Characteristics	UL	IEC
Rated Voltage	300V	630V
Rated Current	41A	41A
Withstand Voltage	1600V/1 min	6.0KV
Wire Range	8 ~ 24 AWG	---

Material and other:  
 Insulation Material: PA66  
 Imflammability: UL 94V-0  
 Contactor Material: Copper Alloy  
 Contactive Coating: Sn Plated  
 Operating Temperature:  $-40^{\circ}\text{C} \sim +105^{\circ}\text{C}$   
 Soldering Temperature:  $260^{\circ}\text{C}/5 \text{ Sec}$



Order Information  
 L-KLS2-KKFR-7.62-XXP-X

RoHS  
 Terminal Block  
 Pitch: 7.62mm  
 No. of (02 ~ 12) Pin  
 Color:

1=Gray	2=Blue	3=Black
4=Green	5=Orange	6=Red
7=Transp	8=Yellow	9=White

ANGLE TOLERANCE	PROJECTION	Description:
$\pm 3^{\circ}$		Pitch 7.62mm Pluggable Terminal Block, Plug
GENERAL TOLERANCE	UNITS	mm
0 ~ 30	$\pm 0.50$	SHEET SIZE
30 ~ 60	$\pm 0.75$	Draw:
60 ~ 90	$\pm 1.00$	Check:
		KLS P/N:
		L-KLS2-KKFR-7.62-XXP-X
		NingBo KLS ELECTRONIC CO.,L TD.