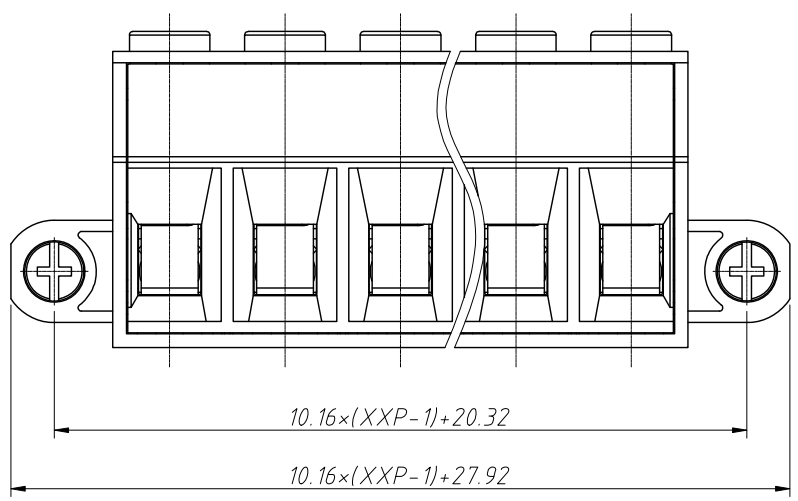
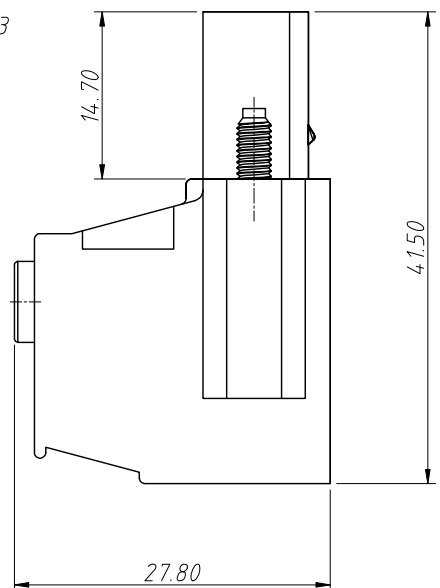
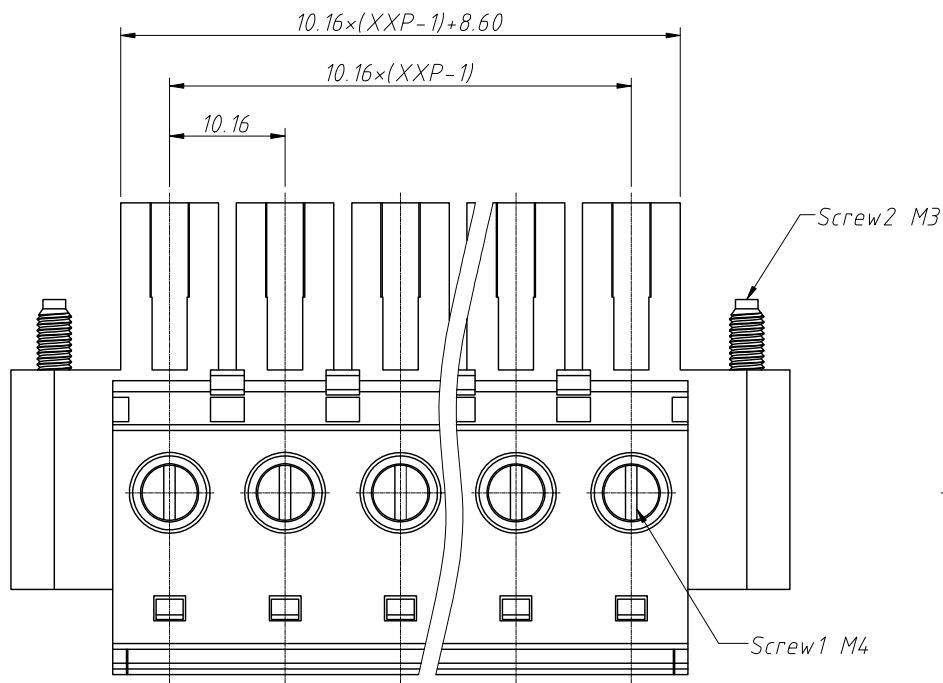


1 RoHS Compliance

REV	SYM	Revision Record	Appr.	Date
V0	KLS02006	New Version Release	Jenny	2024-09-07

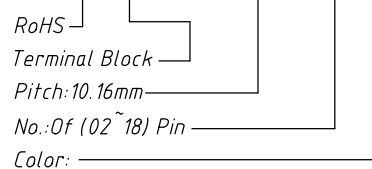
Electrical Characteristics	UL	IEC
Rated Voltage	600V	1000V
Rated Current	55A	76A
Withstand Voltage	2200V / 1min	8.0KV
Wire Range	6~20 AWG	0.5-16mm ²



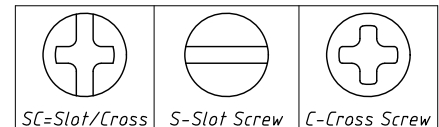
Material and other:
Housing/Cover: PA66, UL94V-0
Clamp: Copper alloy, Sn Plated
Cage: Copper alloy, Ni Plated
Screw1: M4 Steel, Zn Plated, Torque 1.2Nm max
Screw2: M3 Steel, Zn Plated, Torque 0.5Nm max
Stripping length: 13-14mm
Operating temperature: -40°C ~ +105°C

Order Information

L-KLS2-KKFM-10.16-XXP-4 X



Screw: SC=Slot/Cross
S-Slot Screw C-Cross Screw



ANGLE TOLERANCE	PROJECTION	Description:
±3°		Pitch 10.16mm Pluggable Terminal Block, Plug
GENERAL TOLERANCE	UNITS	mm
0~30 ±0.50	SHEET SIZE	A4
30~60 ±0.75	Draw:	Jenny
60~90 ±1.00	Check:	Daniel
		KLS P/N: L-KLS2-KKFM-10.16-XXP-4X
		NingBo KLS ELECTRONIC CO.,L TD.