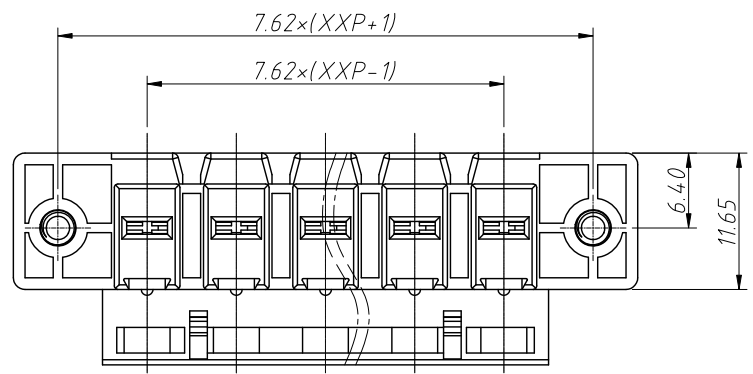
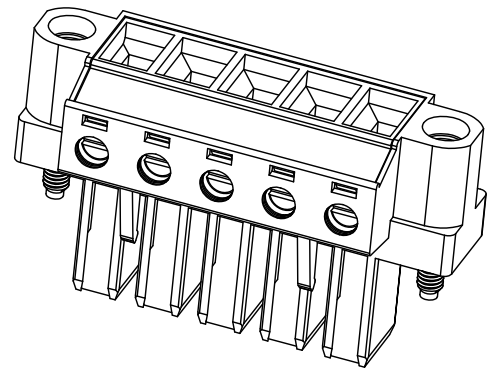


1
RoHS Compliance

REV	SYM	Revision Record	Appr.	Date
V0	KLS02006	New Version Release	Jenny	2024-09-07

B



Electrical Characteristics	UL	IEC
Rated Voltage	300V	400V
Rated Current	30A	32A
Withstand Voltage	2000V / 1 min	---
Wire Range	10~28 AWG	4mm ²

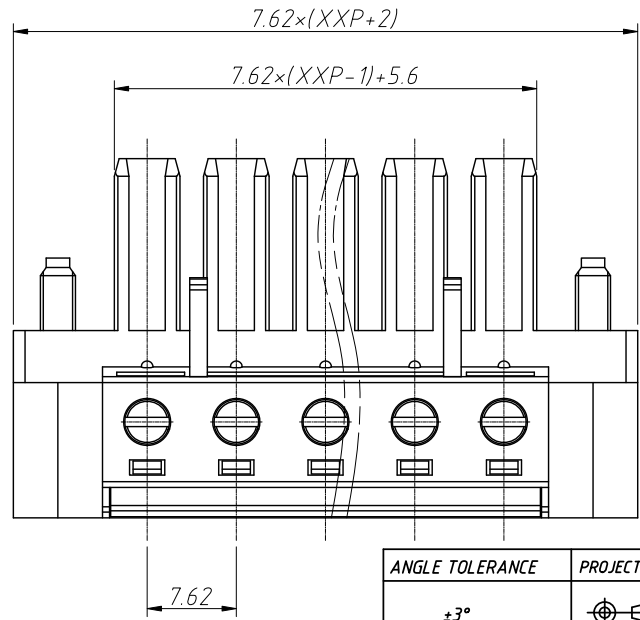
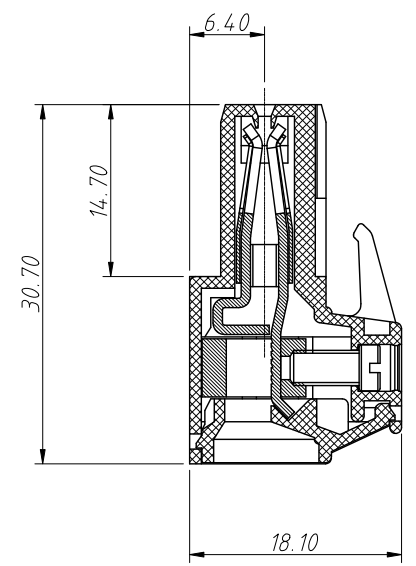
C

Material and other:
 Housing:PA66, UL 94 V-0
 Clamp:Stainless steel;Copper alloy,Sn Plated
 Cage:Copper alloy,Ni Plated
 Screw:M3 Steel,Zn Plated,Torque 0.5Nm max
 Stripping Length:9-10mm
 Temp. Range:-4.0°C ~ +105°C
 Max Soldering:+250°C for 5 Sec

D

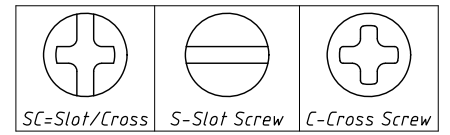
Order Information
 L-KLS2-KKFM-7.62-XXP-4 X

E



RoHS
 Terminal Block
 Pitch:7.62mm
 No.:Of (02~24) Pin
 Color:
 1=Gray 2=Blue 3=Black
 4=Green 5=Orange 6=Red
 7=Transp 8=Yellow 9=White
 Screw:SC=Slot/Cross
 S-Slot Screw C-Cross Screw

F



G

ANGLE TOLERANCE	PROJECTION	Description:		
±3°		Pitch 7.62mm Pluggable Terminal Block,Plug		
GENERAL TOLERANCE	UNITS	mm	KLS P/N:	L-KLS2-KKFM-7.62-XXP-4X
0~30 ±0.50	SHEET SIZE	A4		
30~60 ±0.75	Draw:	Jenny	2024-09-07	NingBo KLS ELECTRONIC CO.,L TD.
60~90 ±1.00	Check:	Daniel	2024-09-07	

H