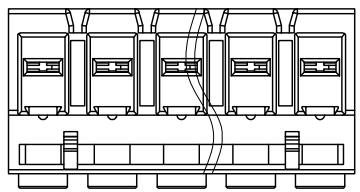


1  
RoHS Compliance

6		7		8	
REV	SYM	Revision Record		Appr.	Date
V0	KLS02006	New Version Release		Jenny	2024-09-07



**Material and other:**  
 Housing:PA66, UL 94 V-0  
 Cover:PA66, UL 94 V-0  
 Clamp:Copper alloy,Sn Plated  
 Cage:Copper alloy,Ni Plated  
 Screw:Steel,M3/Zn Plated  
 Screw Torque:0.5Nm max  
 Stripping Length:10mm  
 Operating temperature:-40°C ~ +105°C

Electrical Characteristics	UL	IEC
Rated Voltage	300V	1000V
Rated Current	41A	41A
Withstand Voltage	1600V / 1min	8.0KV
Wire Range	8 ~ 24 AWG	0.2 ~ 6.0mm <sup>2</sup>

B

C

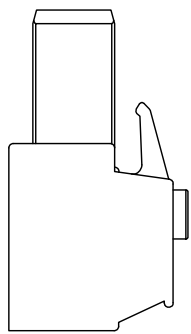
D

E

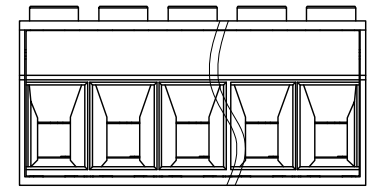
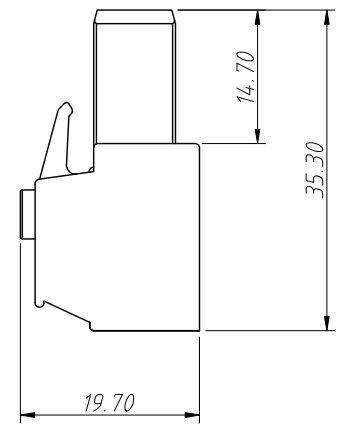
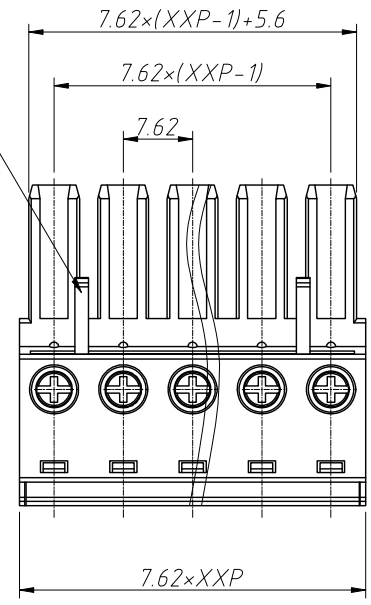
F

G

H



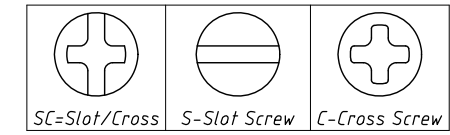
2P only has this card hook



**Order Information**

L-KLS2-KFFH-7.62-XXP-4 X

RoHS  
 Terminal Block  
 Pitch:7.62mm  
 No.:Of (02 ~ 12) Pin  
 Color:  
 1=Gray    2=Blue    3=Black  
 4=Green    5=Orange    6=Red  
 7=Transp    8=Yellow    9=White  
 Screw:SC=Slot/Cross  
 S-Slot Screw    C-Cross Screw



ANGLE TOLERANCE	PROJECTION	Description:			
±3°		Pitch 7.62mm Pluggable Terminal Block,Plug			
GENERAL TOLERANCE	UNITS	mm	KLS P/N:	L-KLS2-KFFH-7.62-XXP-4X	
0 ~ 30 ±0.50	SHEET SIZE	A4			
30 ~ 60 ±0.75	Draw:	Jenny	2024-09-07	NingBo KLS ELECTRONIC CO.,L TD.	
60 ~ 90 ±1.00	Check:	Daniel	2024-09-07		