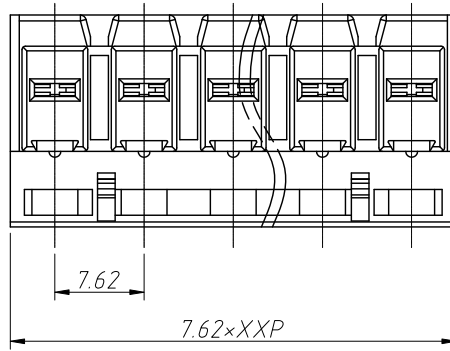
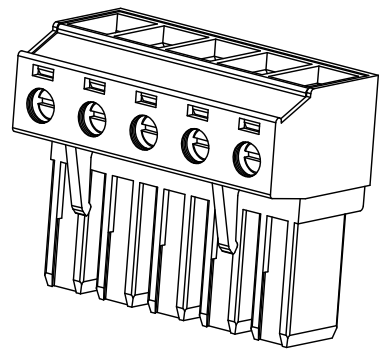


1
RoHS Compliance

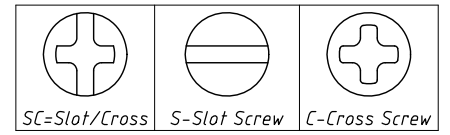
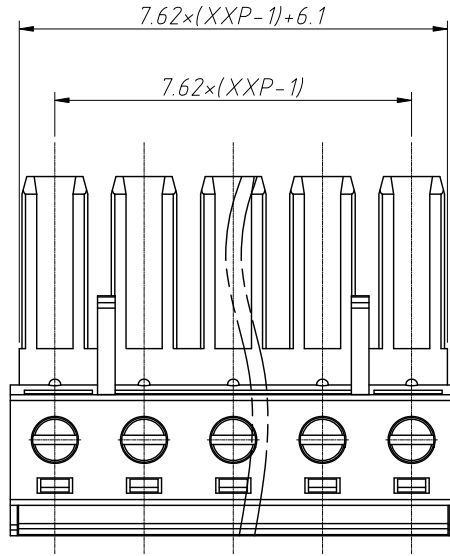
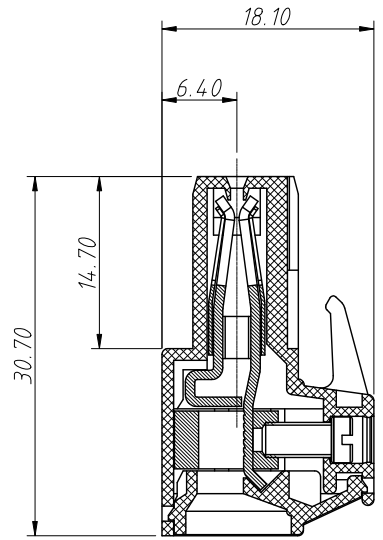
6		7		8	
REV	SYM	Revision Record		Appr.	Date
V0	KLS02006	New Version Release		Jenny	2024-09-07



Electrical Characteristics	UL	IEC
Rated Voltage	300V	400V
Rated Current	30A	32A
Withstand Voltage	2000V / 1min	---
Wire Range	10~28 AWG	4mm ²

Material:
 Housing: PA66, UL94V-0
 Clamp: Copper alloy, Sn Plated
 Clamp: Stainless steel
 Cage: Copper alloy, Ni Plated
 Screw: Steel, M3/Zn Plated (torque 0.5Nm)
 Stripping Length: 9-10mm

Order Information
 L-KLS2-KFF-7.62-XXP-4 X
 RoHS
 Terminal Block
 Pitch: 7.62mm
 No.: Of (02~24) Pin
 Color:
 1=Gray 2=Blue 3=Black
 4=Green 5=Orange 6=Red
 7=Transp 8=Yellow 9=White
 Screw: SC=Slot/Cross
 S-Slot Screw C-Cross Screw



Electrical:
 Contact resistance: 20mΩ MAX
 Insulation resistance: 500MΩ/DC500V
 Temp. Range: -40°C ~ +105°C

ANGLE TOLERANCE	PROJECTION	Description:			
±3°		Pitch 7.62mm Pluggable Terminal Block, Plug			
GENERAL TOLERANCE	UNITS	mm	KLS P/N:	L-KLS2-KFF-7.62-XXP-4X	
0~30	±0.50	SHEET SIZE	A4		
30~60	±0.75	Draw:	Jenny	2024-09-07	
60~90	±1.00	Check:	Daniel	2024-09-07	

NingBo KLS ELECTRONIC CO.,L TD.