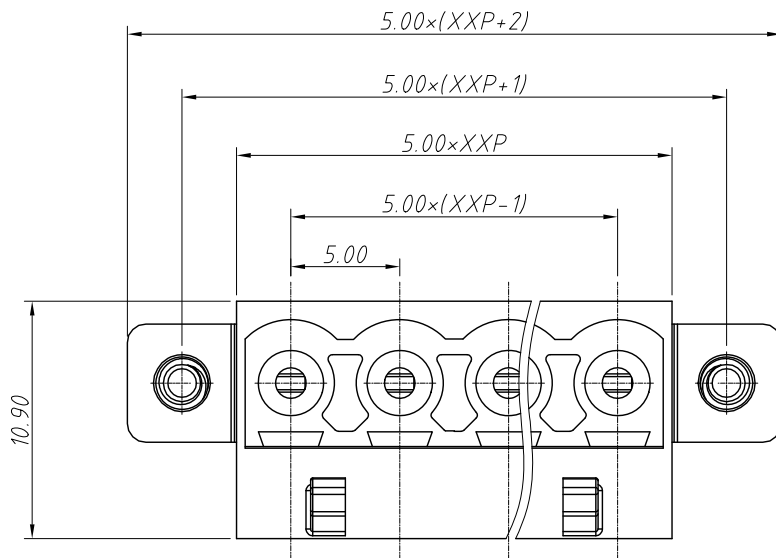


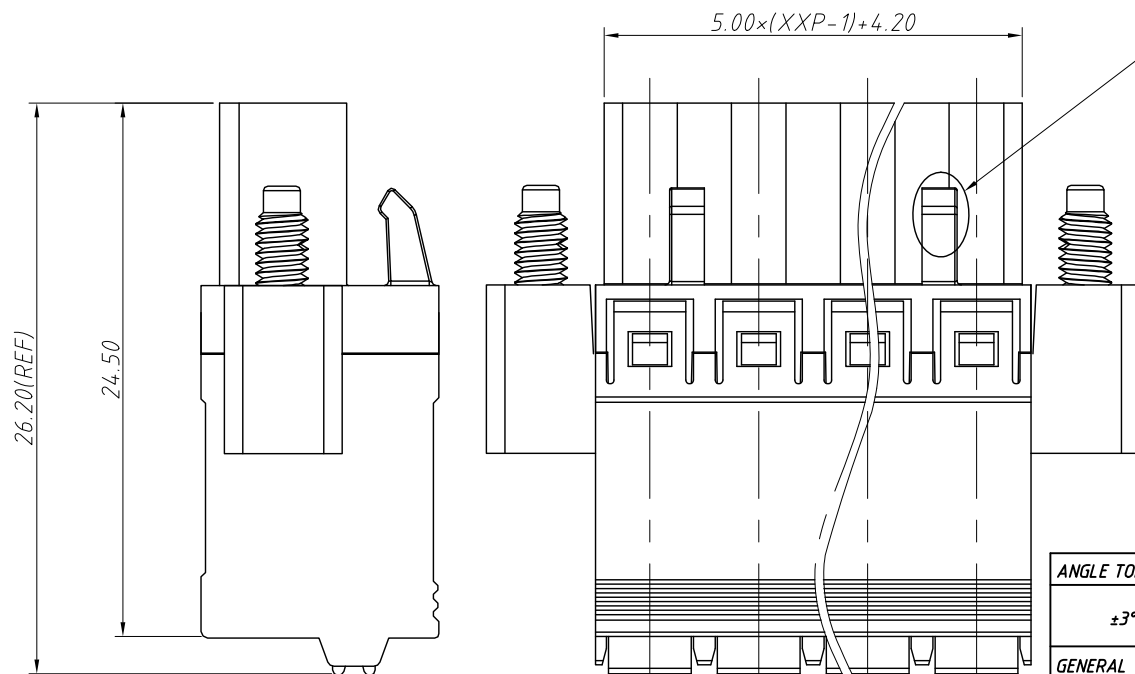
1 RoHS Compliance

REV	SYM	Revision Record	Appr.	Date
V0	KLS02006	New Version Release	Jenny	2024-08-29



Electrical Characteristics	UL	IEC
Rated Voltage	300V	320V
Rated Current	12A	12A
Withstand Voltage	1600V / 1 min	4.0
Wire Range	16 ~ 24 AWG	0.2-2.5mm ²

Material and other:
 Housing: PA66, UL 94V-0
 Contactor: Copper alloy, Sn Plated
 Steip Length: 11-12mm
 Operating temperature: -40°C ~ +105°C



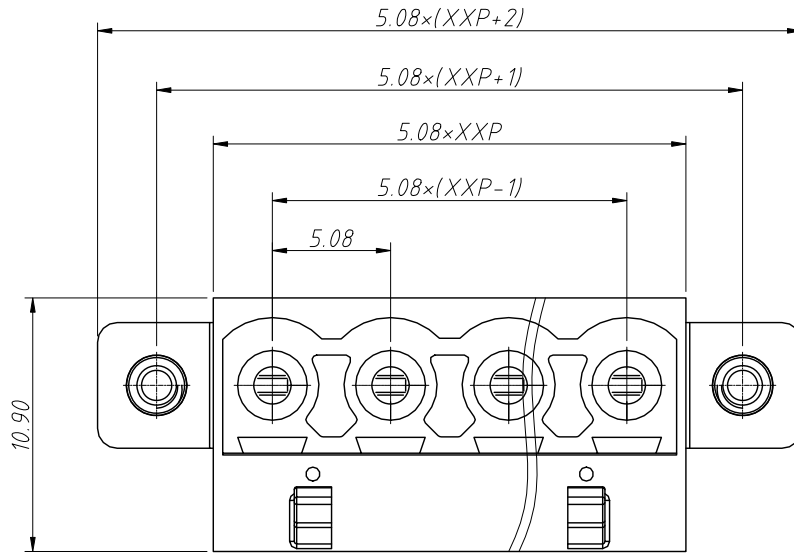
Order Information
 L-KLS2-EFKKM-5.00-XXP-4

RoHS
 Terminal Block
 Pitch: 5.00mm
 No.: Of (02 ~ 24) Pin
 Color:
 1=Gray 2=Blue 3=Black
 4=Green 5=Orange 6=Red
 7=Transp 8=Yellow 9=White

ANGLE TOLERANCE	PROJECTION	Description:
$\pm 3^\circ$		Pitch 5.00mm Pluggable Terminal Block, Plug
GENERAL TOLERANCE	UNITS	mm
0 ~ 30	± 0.50	SHEET SIZE
30 ~ 60	± 0.75	Draw:
60 ~ 90	± 1.00	Check:
		KLS P/N:
		L-KLS2-EFKKM-5.00-XXP-4
		NingBo KLS ELECTRONIC CO.,L TD.

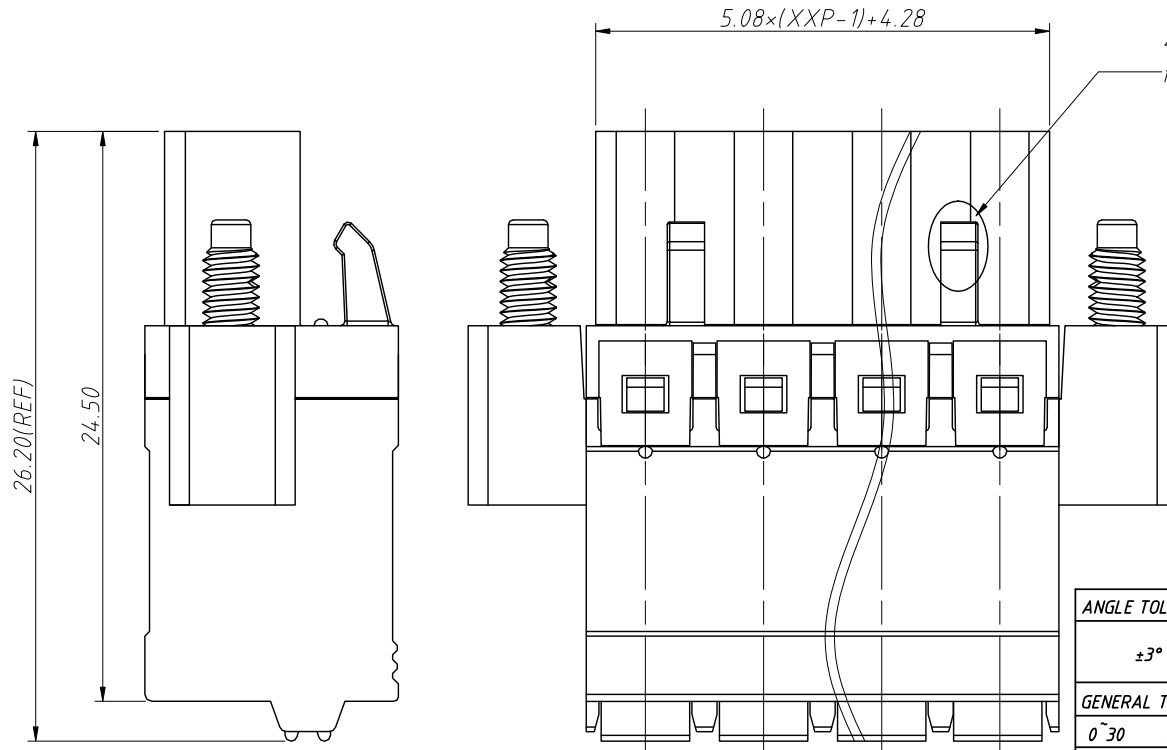
1 RoHS Compliance

6	7	8
REV	SYM	Revision Record
V0	KLS02006	New Version Release
		Appr. Jenny
		Date 2024-08-29



Electrical Characteristics	UL	IEC
Rated Voltage	300V	320V
Rated Current	12A	12A
Withstand Voltage	1600V / 1 min	4.0
Wire Range	16 ~ 24 AWG	0.2-2.5mm ²

Material and other:
 Housing: PA66, UL 94 V-0
 Contactor: Copper alloy, Sn Plated
 Stripping Length: 11-12mm
 Operating temperature: -40°C ~ +105°C



Order Information
 L-KLS2-EFKKM-5.08-XXP-4
 RoHS Terminal Block
 Pitch: 5.08mm
 No.: Of (02~24) Pin
 Color:
 1=Gray 2=Blue 3=Black
 4=Green 5=Orange 6=Red
 7=Transp 8=Yellow 9=White

ANGLE TOLERANCE	PROJECTION	Description:
±3°		Pitch 5.08mm Pluggable Terminal Block, Plug
GENERAL TOLERANCE	UNITS	KLS P/N:
0~30 ±0.50	SHEET SIZE	L-KLS2-EFKKM-5.08-XXP-4
30~60 ±0.75	Draw:	Jenny 2024-09-05
60~90 ±1.00	Check:	Daniel 2024-09-05



NingBo KLS ELECTRONIC CO.,L TD.