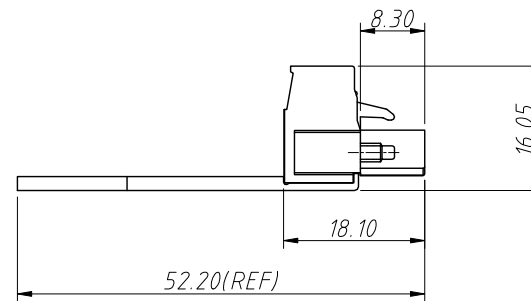
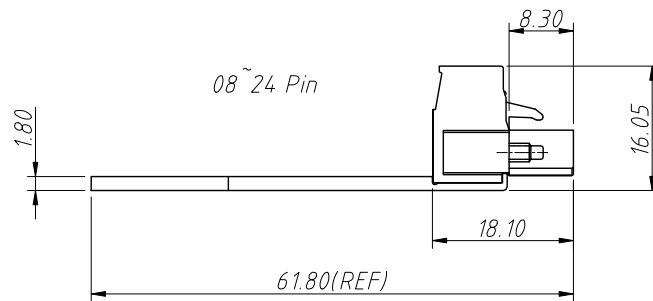
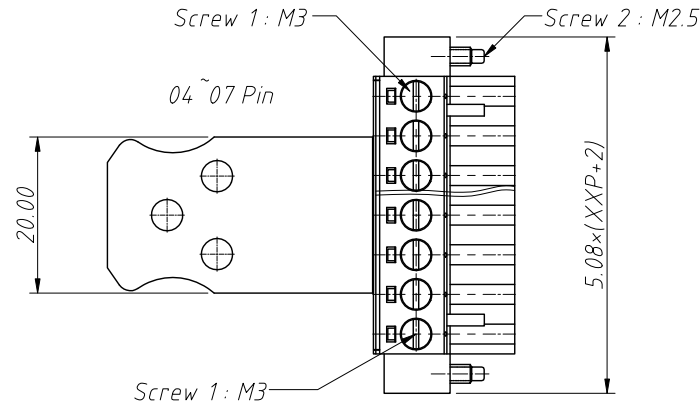
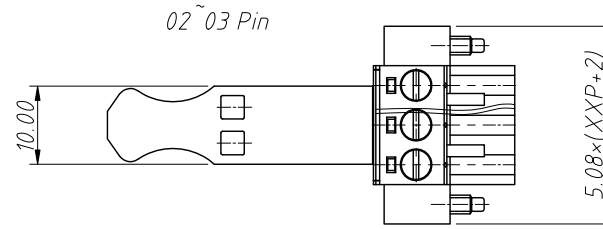
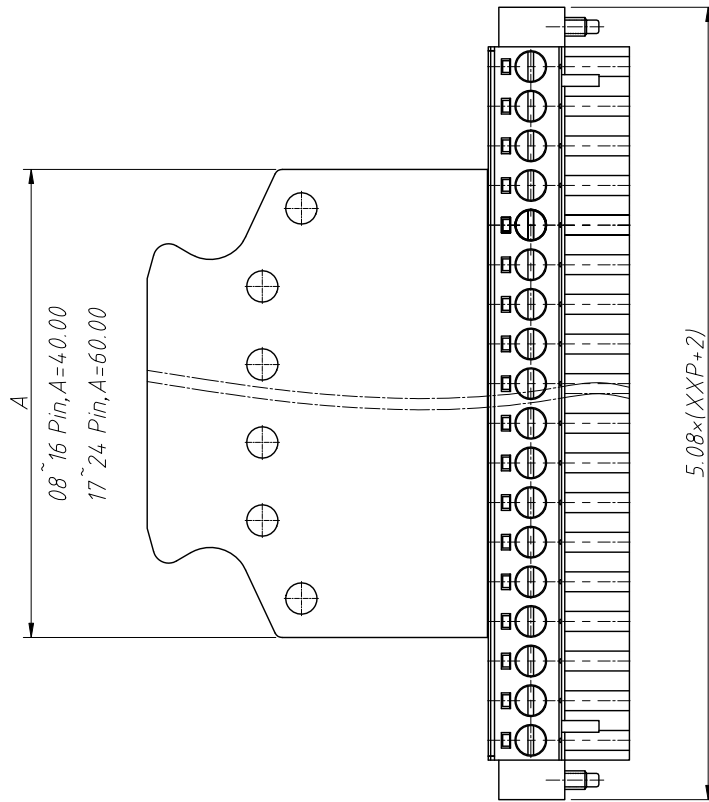


RoHS Compliance

REV	SYM	Revision Record	Appr.	Date
V0	KLS02006	New Version Release	Jenny	2024-09-04

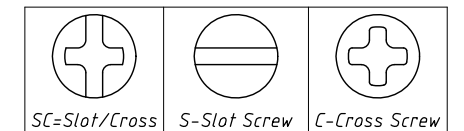


Electrical Characteristics	UL	IEC
Rated Voltage	300V	250V
Rated Current	15A	10A
Withstand Voltage	1600V / 1 min	4.0KV
Wire Range	14 ~ 28 AWG	0.2-2.5mm <sup>2</sup>

Order Information

L-KLS2-EDKSM-5.08-XXP-4 X

RoHS  
Terminal Block  
Pitch:5.08mm  
No.:Of (02~24) Pin  
Color:  
1=Gray 2=Blue 3=Black  
4=Green 5=Orange 6=Red  
7=Transp 8=Yellow 9=White  
Screw:SC=Slot/Cross  
S-Slot Screw C-Cross Screw



Material and other:

Housing/Cover:PA66, UL94V-0

Clamp/Cage:Copper alloy,Ni Plated

Screw 1 :M3 Steel,Zn Plated (Torque 0.5Nm)

Screw 2 :M2.5 Steel,Zn Plated(Torque 0.4Nm)

Stripping Length:7-8mm

Operating temperature:-40°C ~ +105°C

ANGLE TOLERANCE	PROJECTION	Description:
±3°		Pitch 5.08mm Pluggable Terminal Block,Plug
GENERAL TOLERANCE	UNITS	mm
0 ~ 30	±0.50	SHEET SIZE
30 ~ 60	±0.75	A4
60 ~ 90	±1.00	Draw:
	Check:	Jenny 2024-09-04
		Daniel 2024-09-04



NingBo KLS ELECTRONIC CO.,L TD.