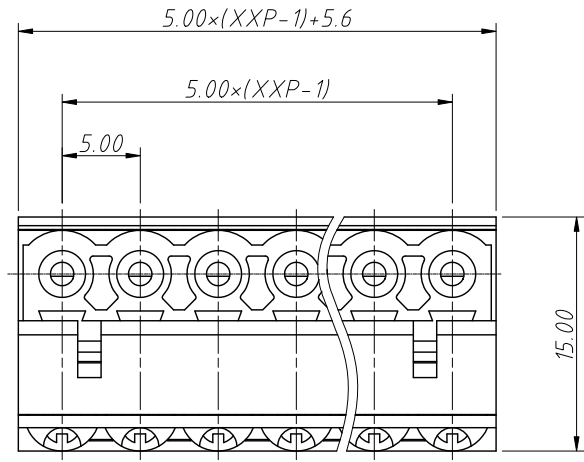
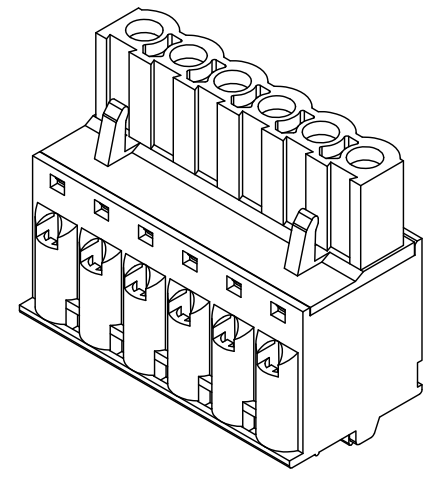


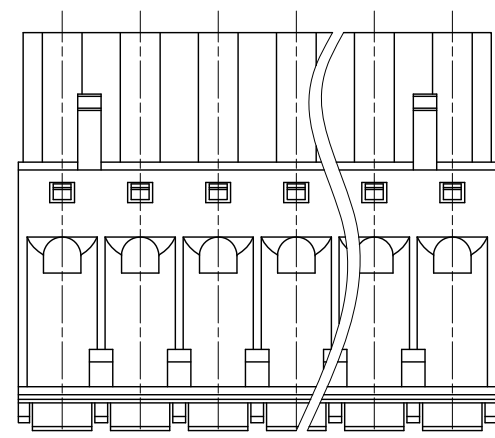
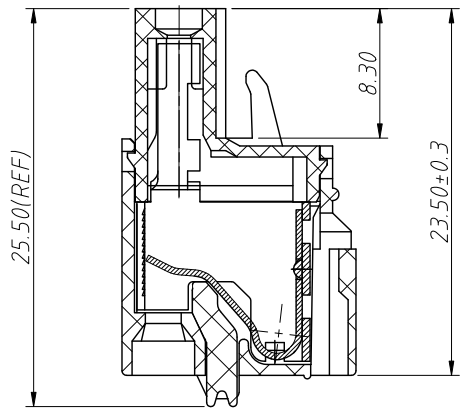
1
RoHS Compliance

6	7	8
REV	SYM	Revision Record
V0	KLS02006	New Version Release
		Appr.
		Jenny
		Date
		2024-08-29



Electrical Characteristics	UL	IEC
Rated Voltage	300V	320V
Rated Current	10A	10A
Withstand Voltage	2000V / 1 min	---
Wire Range	14 ~ 28 AWG	2.5mm ²

Material and other:
 Housing: PA66, UL 94V-0
 Clamp: Copper alloy, Sn Plated
 Shrapnel: Stainless steel
 Contact resistance: 20mΩ
 Insulation resistance: 500MΩ/DC500V
 Strip Length: 7-8mm
 Temp. Range: -40°C ~ +105°C

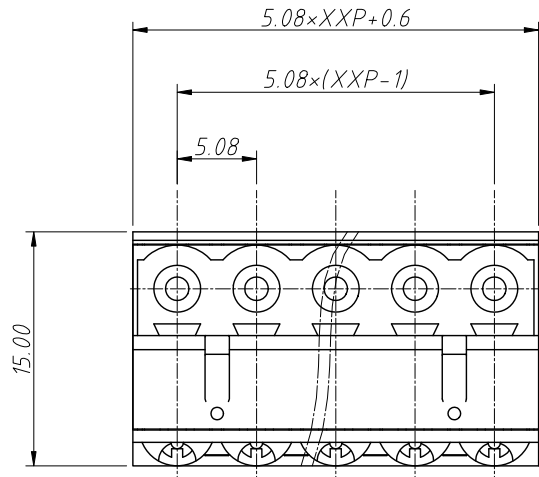


Order Information
L-KLS2-EDKE-5.00-XXP-4
 RoHS Terminal Block
 Pitch: 5.00mm
 No.: Of (02~24) Pin
 Color:
 1=Gray 2=Blue 3=Black
 4=Green 5=Orange 6=Red
 7=Transp 8=Yellow 9=White

ANGLE TOLERANCE	PROJECTION	Description:
±3°		Pitch 5.00mm Pluggable Terminal Block, Plug
GENERAL TOLERANCE	UNITS	mm
0~30	±0.50	
30~60	±0.75	
60~90	±1.00	
SHEET SIZE	A4	
Draw:	Jenny	2024-08-29
Check:	Daniel	2024-08-29
KLS ELECTRONIC		NingBo KLS ELECTRONIC CO.,L TD.

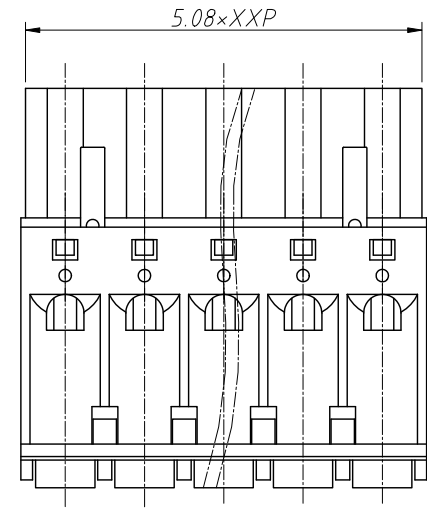
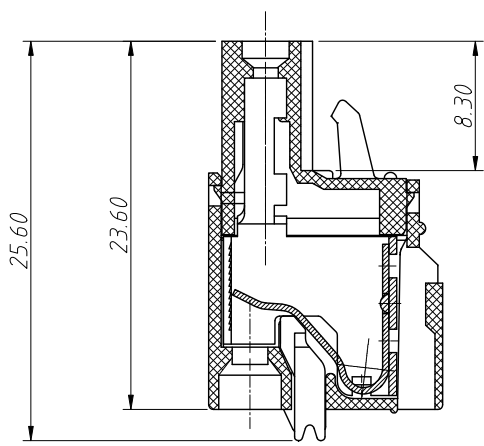
1
RoHS Compliance

6	7	8
REV	SYM	Revision Record
V0	KLS02006	New Version Release
		Appr. Jenny
		Date 2024-08-29



Electrical Characteristics	UL	IEC
Rated Voltage	300V	320V
Rated Current	10A	10A
Withstand Voltage	2000V / 1 min	---
Wire Range	14 ~ 28 AWG	2.5mm ²

Material and other:
 Housing: PA66, UL94V-0
 Clamp: Copper alloy, Sn Plated
 Shrapnel: Stainless steel
 Contact resistance: 20mΩ
 Insulation resistance: 500MΩ/DC500V
 Strip Length: 7-8mm
 Temp. Range: -40°C ~ +105°C



Order Information
 L-KLS2-EDKE-5.08-XXP-4

RoHS
 Terminal Block
 Pitch: 5.08mm
 No.: Of (02 ~ 24) Pin
 Color:
 1=Gray 2=Blue 3=Black
 4=Green 5=Orange 6=Red
 7=Transp 8=Yellow 9=White

ANGLE TOLERANCE	PROJECTION	Description:
±3°		Pitch 5.08mm Pluggable Terminal Block, Plug
GENERAL TOLERANCE	UNITS	mm
0 ~ 30	±0.50	SHEET SIZE
30 ~ 60	±0.75	A4
60 ~ 90	±1.00	Draw: Jenny
	Check: Daniel	2024-08-29
		2024-08-29
		L-KLS2-EDKE-5.08-XXP-4
		NingBo KLS ELECTRONIC CO.,L TD.