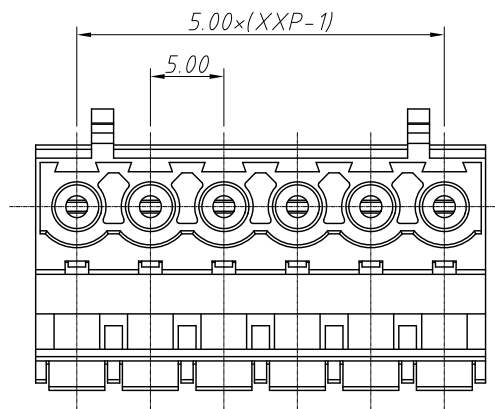


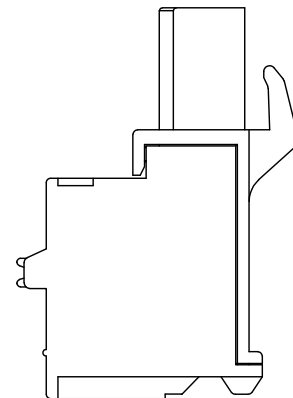
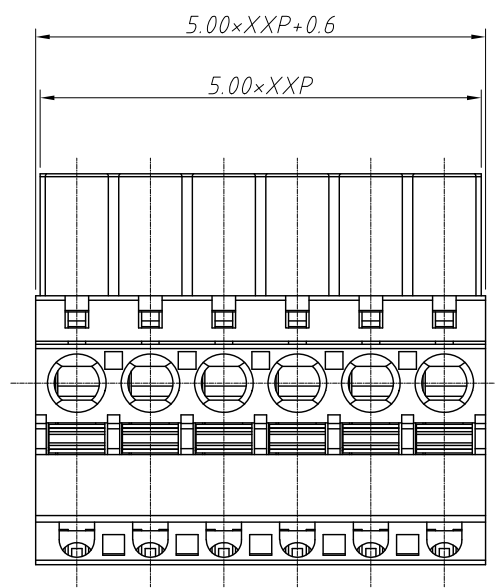
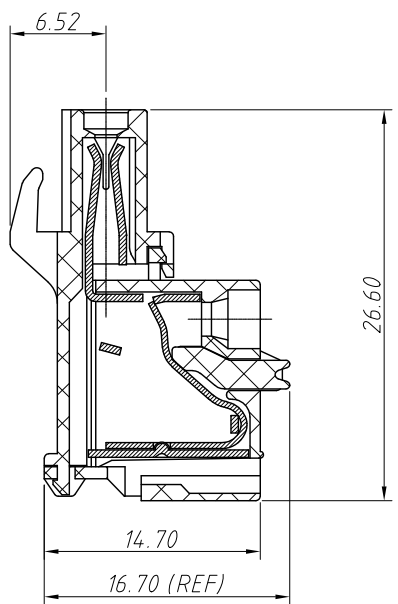
1  
RoHS Compliance

6	7	8		
REV	SYM	Revision Record	Appr.	Date
V0	KLS02006	New Version Release	WuHao	2024-11-01



Electrical Characteristics	UL	IEC
Rated Voltage	300V	250V
Rated Current	10A	12A
Withstand Voltage	1600V/1 min	4.0 KV
Wire Range	28~12 AWG	0.2~2.5mm <sup>2</sup>

Material and other:  
Housing: PA66, UL 94V-0  
Pin Header: Copsy Alloy, Sn Plated  
Stripping Length: 8~9mm  
Operating Temperature: -40°C ~ +105°C



Order Information  
L-KLS2-EDKG-5.00-XXP-4 09

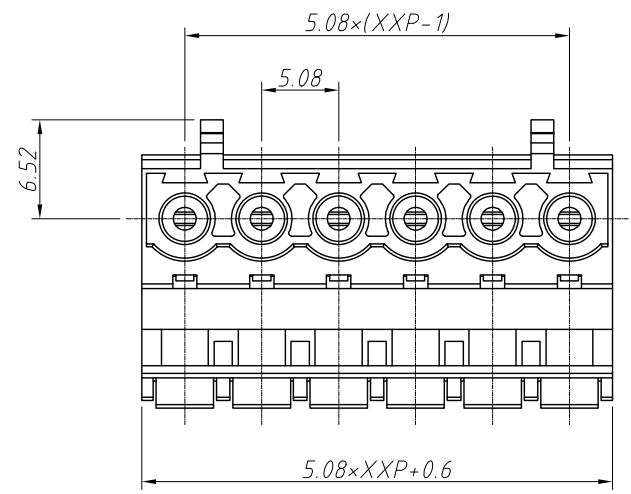
RoHS  
Terminal Block  
Pitch: 5.00mm  
No.: Of (02~24) Pin  
Color:  
1=Gray    2=Blue    3=Black  
4=Green    5=Orange    6=Red  
7=Transp    8=Yellow    9=White  
Product Code: 00~99

ANGLE TOLERANCE	PROJECTION	Description:
±3°		Pitch 5.00mm Terminal Block
GENERAL TOLERANCE	UNITS	mm
0~30 ±0.50	SHEET SIZE	A4
30~60 ±0.75	Draw:	WuHao 2024-11-01
60~90 ±1.00	Check:	Daniel 2024-11-01
		KLS NingBo KLS ELECTRONIC CO.,LTD.

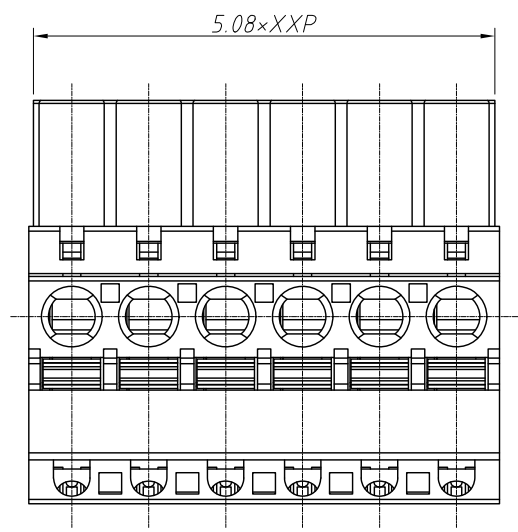
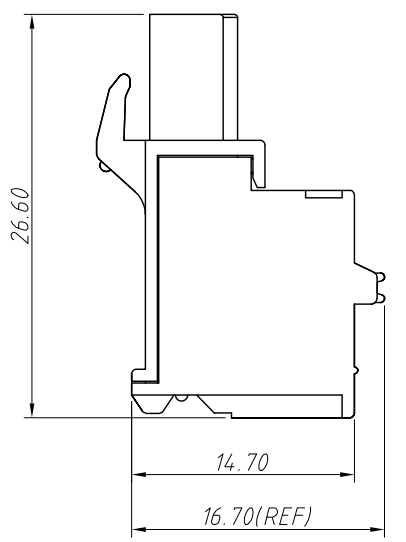
1  
RoHS Compliance

6	7	8
REV	SYM	Revision Record
V0	KLS02006	New Version Release
		Appr. Jenny
		Date 2024-09-03

Electrical Characteristics	UL	IEC
Rated Voltage	300V	250V
Rated Current	10A	12A
Withstand Voltage	1600V / 1min	4.0KV
Wire Range	12~28 AWG	0.2~2.5mm <sup>2</sup>



**Material and other:**  
Housing:PA66, UL 94 V-0  
Cover:PA66, UL 94 V-0  
Button:POM,UL 94-HB  
Spring:Stainless steel  
Clamp:Copper alloy,Sn Plated  
Stripping Length:8-9mm  
Operating temperature:-40°C ~ +105°C



**Order Information**  
L-KLS2-EDKG-5.08-XXP-4

RoHS  
Terminal Block  
Pitch:5.08mm  
No.:Of (02~24) Pin  
Color:

1=Gray    2=Blue    3=Black  
4=Green    5=Orange    6=Red  
7=Transp    8=Yellow    9=White

ANGLE TOLERANCE	PROJECTION	Description:
±3°		Pitch 5.08mm Pluggable Terminal Block,Plug
GENERAL TOLERANCE	UNITS	mm
0~30 ±0.50	SHEET SIZE	A4
30~60 ±0.75	Draw:	Jenny
60~90 ±1.00	Check:	Daniel
		2024-09-03
		2024-09-03
		L-KLS2-EDKG-5.08-XXP-4

