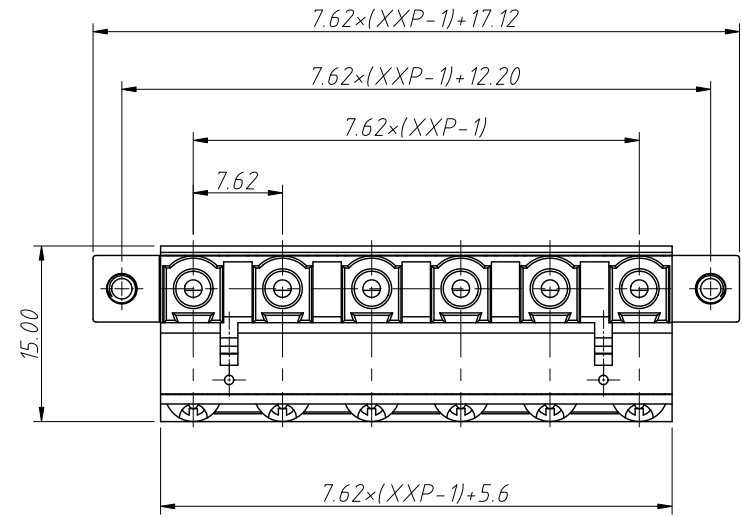
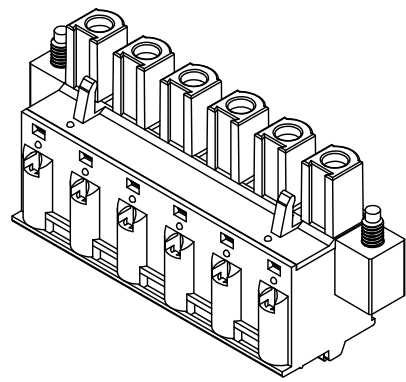


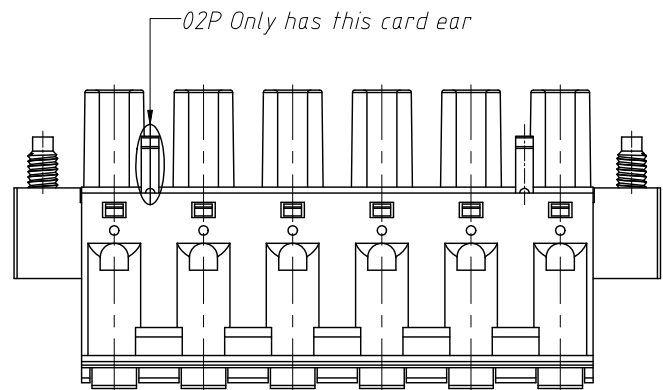
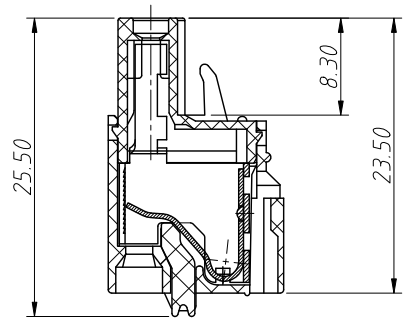
1
RoHS Compliance

6	7	8
REV	SYM	Revision Record
V0	KLS02006	New Version Release
		Appr. Jenny
		Date 2024-08-29

Electrical Characteristics	UL	IEC
Rated Voltage	300V	400V
Rated Current	10A	13.5A
Withstand Voltage	2000V / 1 min	---
Wire Range	14 ~ 28 AWG	2.5mm ²



Material and other:
 Housing: PA66, UL 94V-0
 Clamp: Copper alloy, Ni Plated
 Shrapnel: Stainless steel
 Contact resistance: 20mΩ
 Insulation resistance: 500MΩ/DC500V
 Strip Length: 7-8mm
 Temp. Range: -40°C ~ +105°C



Order Information
L-KLS2-EDKEM-7.62-XXP-4

RoHS Terminal Block
 Pitch: 7.62mm
 No.: Of (02 ~ 16) Pin
 Color:

1=Gray	2=Blue	3=Black
4=Green	5=Orange	6=Red
7=Transp	8=Yellow	9=White

ANGLE TOLERANCE	PROJECTION	Description:	
±3°		Pitch 7.62mm Pluggable Terminal Block, Plug	
GENERAL TOLERANCE	UNITS	mm	KLS P/N:
0 ~ 30 ±0.50	SHEET SIZE	A4	L-KLS2-EDKEM-7.62-XXP-4
30 ~ 60 ±0.75	Draw:	Jenny	2024-08-29
60 ~ 90 ±1.00	Check:	Daniel	2024-08-29

