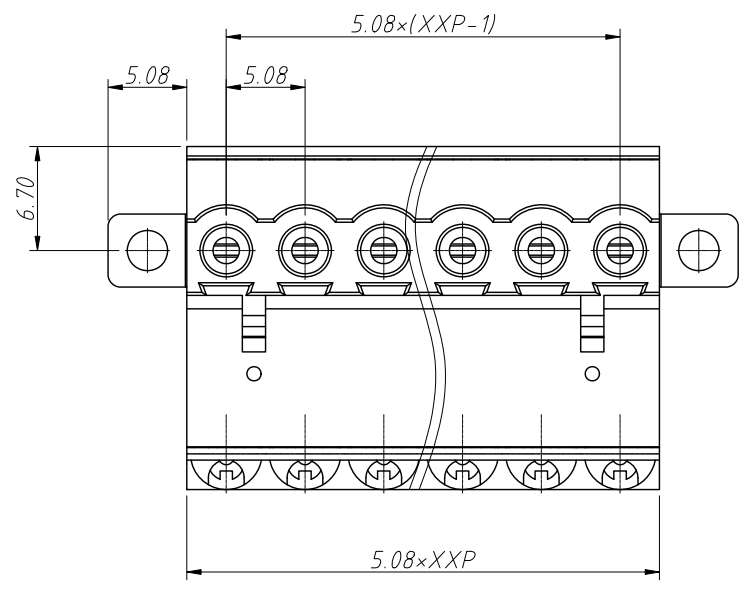


1  
RoHS Compliance

6		7		8	
REV	SYM	Revision Record		Appr.	Date
V0	KLS02006	New Version Release		Jenny	2024-09-03

Material and other:  
 Housing:PA66, UL 94 V-0  
 Cover:PA66, UL 94 V-0  
 Button:Pom,UL 94-HB  
 Spring:Stainless steel  
 Clamp:Copper alloy,Sn Plated  
 Screw:Steel,M2.5/Zn Plated  
 Screw Torque:0.4Nm max  
 Stripping Length:7-8mm  
 Operating temperature:-40°C ~ +105°C

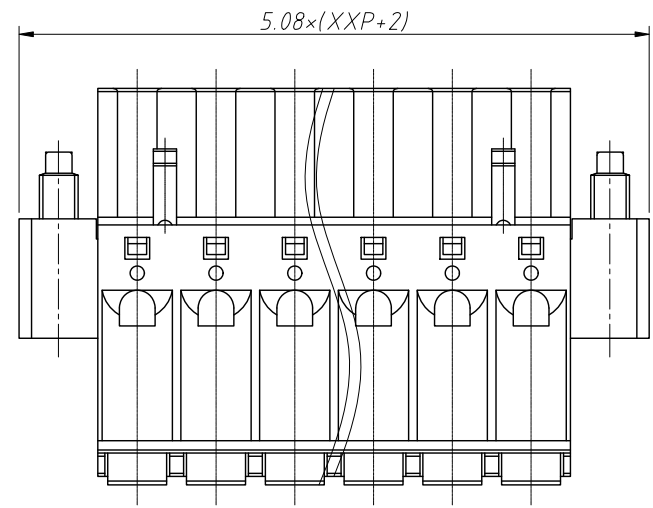
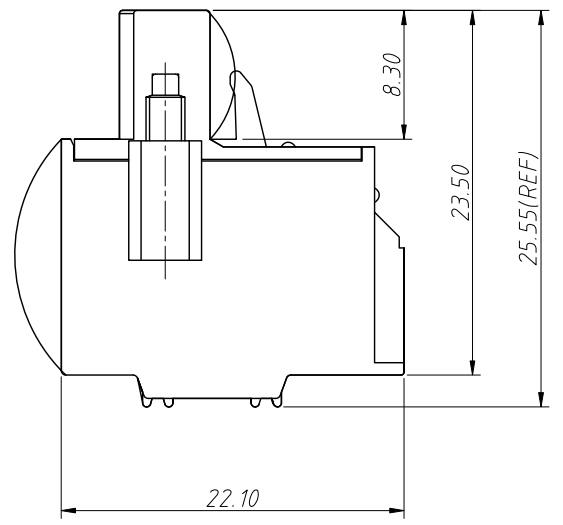
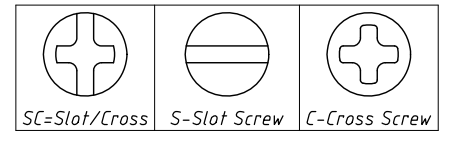
Electrical Characteristics	UL	IEC
Rated Voltage	300V	320V
Rated Current	10A	12A
Withstand Voltage	1600V / 1min	4.0KV
Wire Range	12 ~ 28 AWG	0.2 ~ 2.5mm <sup>2</sup>



Order Information

L-KLS2-EDKNM-5.08-XXP-4 X

RoHS  
 Terminal Block  
 Pitch:5.08mm  
 No.:Of (02~24) Pin  
 Color:  
 1=Gray 2=Blue 3=Black  
 4=Green 5=Orange 6=Red  
 7=Transp 8=Yellow 9=White  
 Screw:SC=Slot/Cross  
 S-Slot Screw C-Cross Screw



ANGLE TOLERANCE		PROJECTION		Description:	
±3°				Pitch 5.08mm Pluggable Terminal Block,Plug	
GENERAL TOLERANCE		UNITS	mm	KLS P/N:	L-KLS2-EDKNM-5.08-XXP-4X
0~30	±0.50	SHEET SIZE	A4		
30~60	±0.75	Draw:	Jenny	2024-09-03	NingBo KLS ELECTRONIC CO.,L TD.
60~90	±1.00	Check:	Daniel	2024-09-03	