

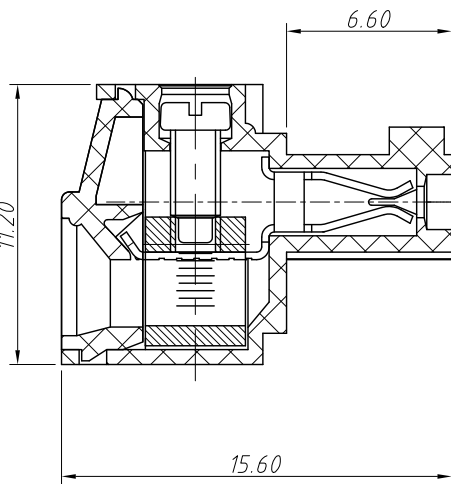
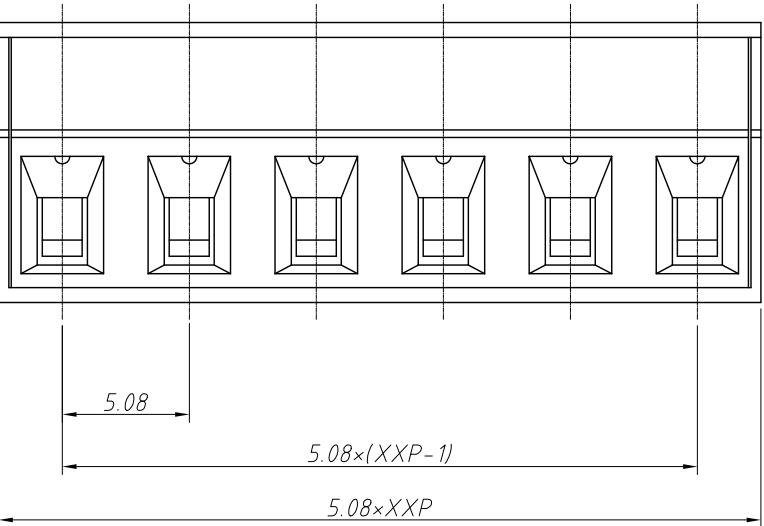
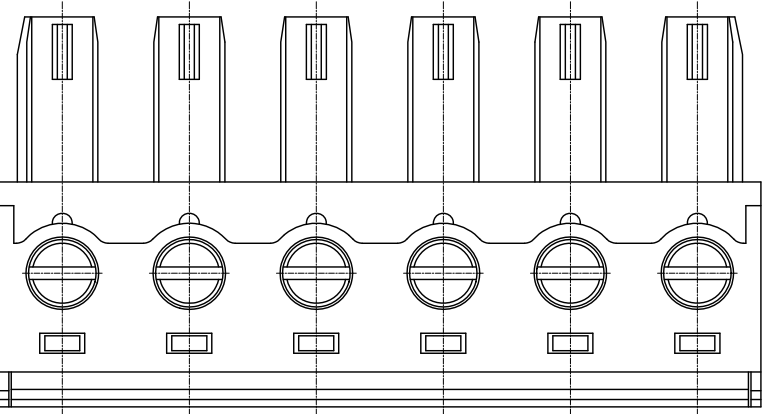
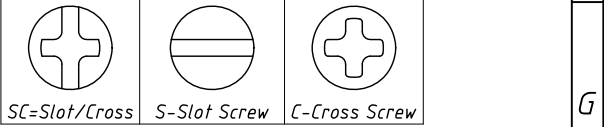
1
RoHS Compliance

6		7		8	
REV	SYM	Revision Record		Appr.	Date
V0	KLS02006	New Version Release		WuHao	2024-11-01

Electrical Characteristics	UL	IEC
Rated Voltage	300V	250V
Rated Current	8A	10A
Withstand Voltage	AC2000V/1 min	---
Wire Range	28~16 AWG	1.0mm ²

Material and other:
 Housing:PA66, UL 94V-0
 Clamp:Phosphor Bronze,Ni Plated
 Cage:Brass,Ni Plated
 Screw/Torque:Steel,M2.0,Zn Plated/0.2N.m
 Contact resistance:20mΩ MAX
 Insulation resistance:500MΩ/DC500V
 Stripping Length:6~7mm
 Temp.Range:-40°C~+105°C
 Order Information

L-KLS2-EDKFF-5.08-XXP-XX
 RoHS
 Terminal Block
 Pitch:5.08mm
 No.:Of (02~24) Pin
 Color:1=Gray 2=Blue 3=Black
 4=Green 5=Orange 6=Red
 7=Transp 8=Yellow 9=White
 Screw:SC=Slot/Cross
 S-Slot Screw C-Cross Screw



ANGLE TOLERANCE	PROJECTION	Description:			
±3°		Pitch 5.08mm Terminal Block			
GENERAL TOLERANCE	UNITS	mm	KLS P/N:	L-KLS2-EDKFF-5.08-XXP-XX	
0~30	±0.50	SHEET SIZE	A4		
30~60	±0.75	Draw:	WuHao	2024-11-01	
60~90	±1.00	Check:	Daniel	2024-11-01	

NingBo KLS ELECTRONIC CO.,L TD.