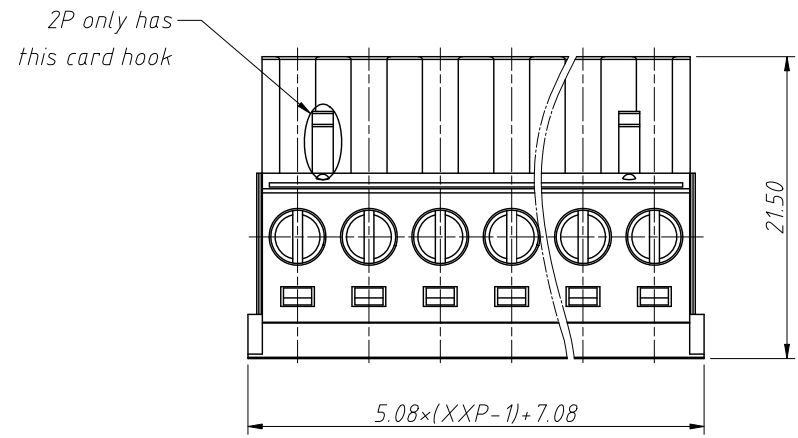
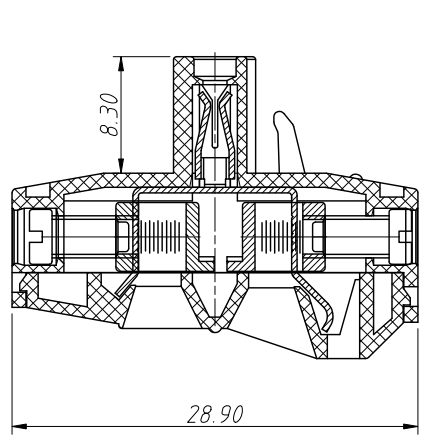
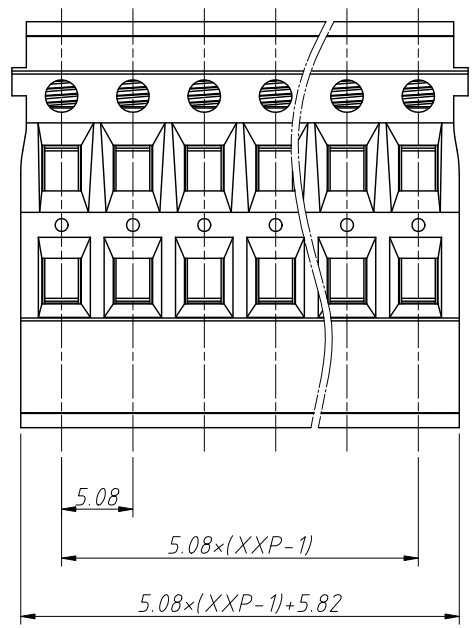
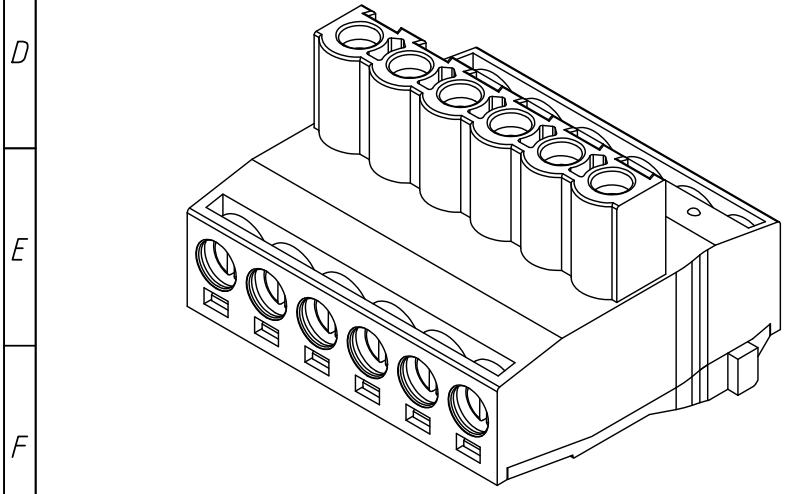


1
RoHS Compliance

6		7		8	
REV	SYM	Revision Record		Appr.	Date
V0	KLS02006	New Version Release		Jenny	2024-08-20

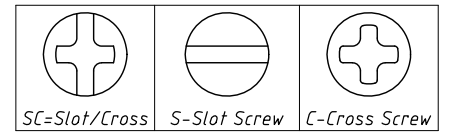


Electrical Characteristics	UL	IEC
Rated Voltage	300V	450V
Rated Current	15A	20A
Withstand Voltage	2000V / 1min	---
Wire Range	12~28 AWG	1.5mm ²



Order Information
L-KLS2-EDGH-5.08-XXP-4X

RoHS
 Terminal Block
 Pitch:5.08mm
 No.:Of (02~24) Pin
 Color:
 1=Gray 2=Blue 3=Black
 4=Green 5=Orange 6=Red
 7=Transp 8=Yellow 9=White
 Screw:SC=Slot/Cross
 S-Slot Screw C-Cross Screw



Material and other:
 Housing:PA66, UL94V-0
 Clamp:Copper alloy,Sn Plated
 Cage:Copper alloy,Ni Plated
 Screw:M3 Steel,Zn Plated
 Screw Torque:M3/0.5Nm max
 Stripping Length:7-8mm
 Operating temperature:-40°C~+105°C
 Soldering:+250°C for 5 Sec Max.

Electrical Characteristics:
 Contact resistance:20mΩ MAX
 Insulation resistance:500MΩ/DC500V
 Withstanding Voltage:AC2000V 1minute

ANGLE TOLERANCE	PROJECTION	Description:			
±3°		Pitch 5.08mm Pluggable Terminal Block,Plug			
GENERAL TOLERANCE	UNITS	mm	KLS P/N:	L-KLS2-EDGH-5.08-XXP-4X	
0~30	±0.50	SHEET SIZE	A4		
30~60	±0.75	Draw:	Jenny	2024-08-20	
60~90	±1.00	Check:	Daniel	2024-08-20	

NingBo KLS ELECTRONIC CO.,L TD.