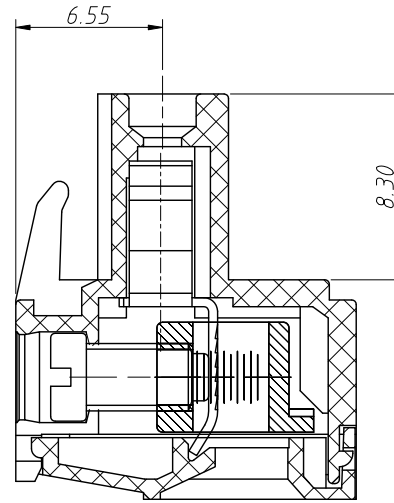
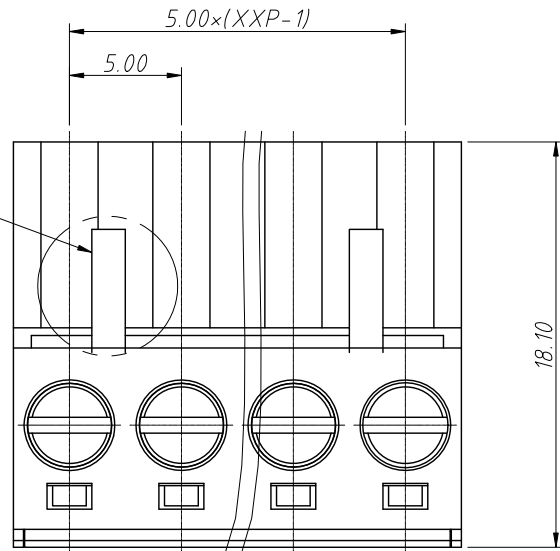


RoHS Compliance

| REV | SYM | Revision Record | Appr. | Date |
|-----|----------|---------------------|-------|------------|
| V0 | KLS02006 | New Version Release | WuHao | 2024-10-29 |



| | | |
|----------------------------|---------------|--------------------|
| Electrical Characteristics | UL | IEC |
| Rated Voltage | 300V | 320V |
| Rated Current | 15A | 17.5A |
| Withstand Voltage | AC2000V/1 min | --- |
| Wire Range | 22~12 AWG | 2.5mm ² |

Material and other:

Housing: PA66, UL 94 V-0

Cage: Brass, Ni Plated

Clamp: Phosphor Bronze, Ni Plated

Screws/Torque: Steel, M3.0, Zn Plated/0.5Nm

Temp. Range: -40°C ~ +105°C

Steip Length: 7~8mm

Order Information

L-KLS2-EDDK-5.00-XXP-XX

RoHS

Terminal Block

Pitch: 5.00mm

No.: Of (02~24) Pin

Color:

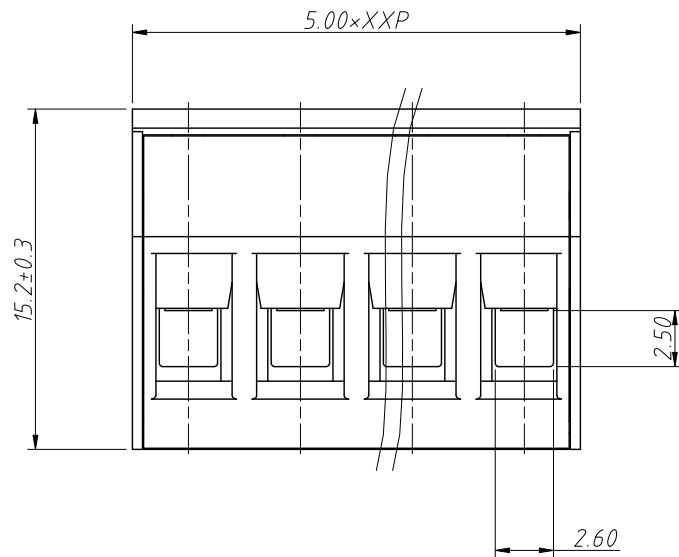
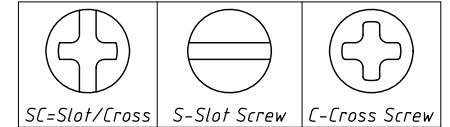
1=Gray 2=Blue 3=Black

4=Green 5=Orange 6=Red

7=Transp 8=Yellow 9=White

Screw: SC=Slot/Cross

S-Slot Screw C-Cross Screw



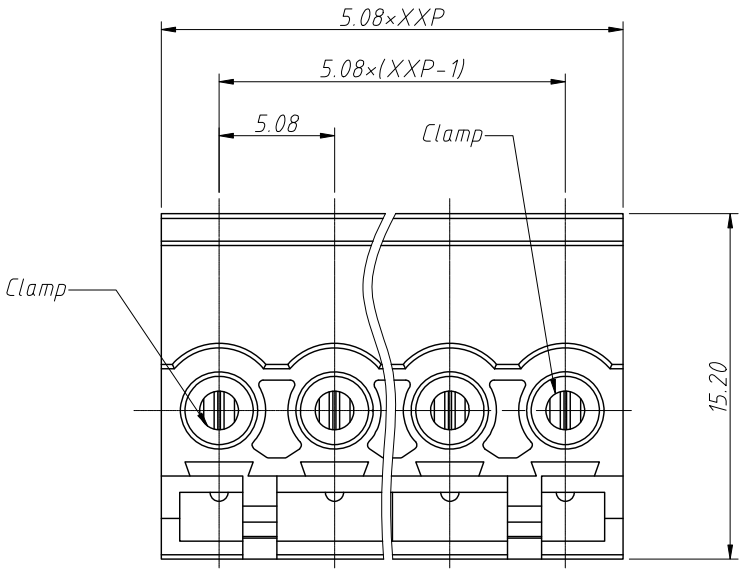
| | | |
|-------------------|------------|---------------------------------|
| ANGLE TOLERANCE | PROJECTION | Description: |
| ±3° | | Pitch 5.00mm Terminal Block |
| GENERAL TOLERANCE | UNITS | mm |
| 0~30 ±0.50 | SHEET SIZE | A4 |
| 30~60 ±0.75 | Draw: | WuHao 2024-10-29 |
| 60~90 ±1.00 | Check: | Daniel 2024-10-29 |
| | | L-KLS2-EDDK-5.00-XXP-XX |
| | | NingBo KLS ELECTRONIC CO.,L TD. |

1
RoHS Compliance

| | | | | | |
|-----|----------|---------------------|---|-------|------------|
| 6 | 7 | | 8 | | |
| REV | SYM | Revision Record | | Appr. | Date |
| V0 | KLS02006 | New Version Release | | Jenny | 2024-08-20 |

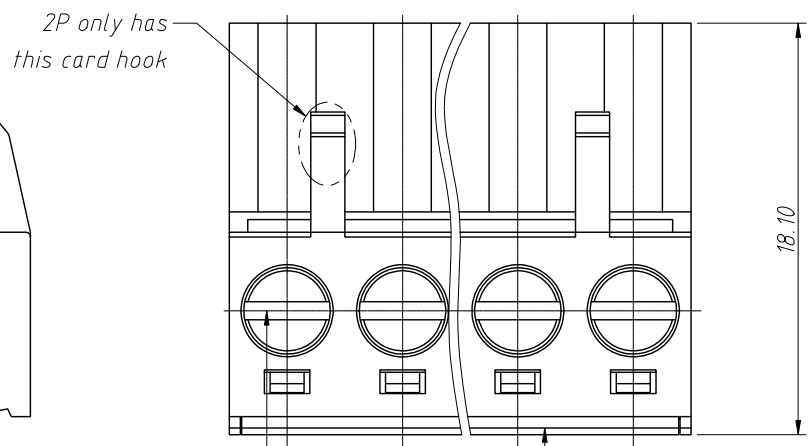
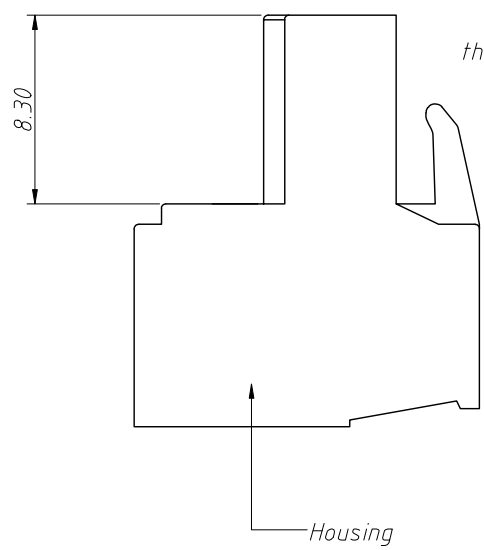
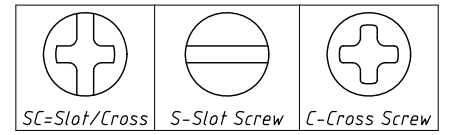
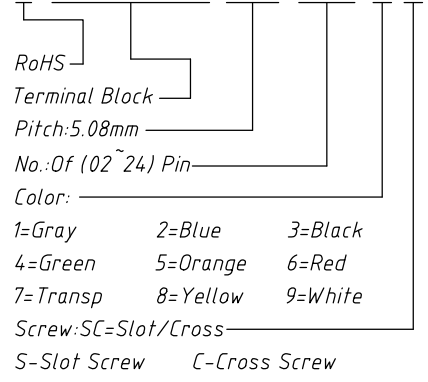
Material and other:
 Housing:PA66, UL 94V-0
 Cover:PA66, UL 94V-0
 Clamp:Copper alloy,Sn Plated
 Cage:Copper alloy,Ni Plated
 Screw:Steel,M3/Zn Plated
 Screw Torque:M3/0.5Nm max
 Stripping Length:7-8mm
 Operating temperature:-40°C ~ +105°C

| | | |
|----------------------------|--------------|------------------------|
| Electrical Characteristics | UL | IEC |
| Rated Voltage | 300V | 250V |
| Rated Current | 15A | 12A |
| Withstand Voltage | 1600V / 1min | 4.0KV |
| Wire Range | 12~28 AWG | 0.2~2.5mm ² |



Order Information

L-KLS2-EDDK-5.08-XXP-4 X



| | | | |
|-------------------|------------|--|-------------------------|
| ANGLE TOLERANCE | PROJECTION | Description: | |
| ±3° | | Pitch 5.08mm Pluggable Terminal Block,Plug | |
| GENERAL TOLERANCE | UNITS | mm | KLS P/N: |
| 0~30 ±0.50 | SHEET SIZE | A4 | L-KLS2-EDDK-5.08-XXP-4X |
| 30~60 ±0.75 | Draw: | Jenny | 2024-08-20 |
| 60~90 ±1.00 | Check: | Daniel | 2024-08-20 |

