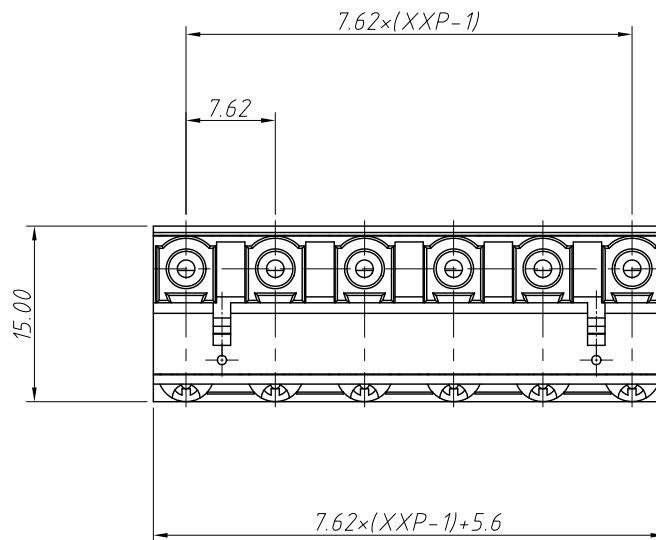
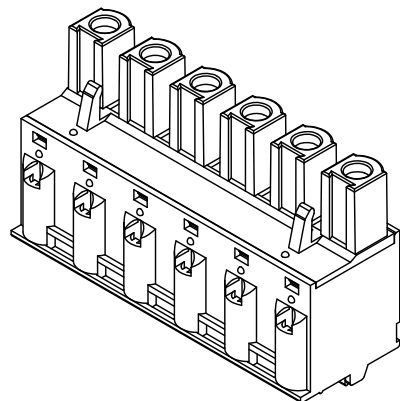


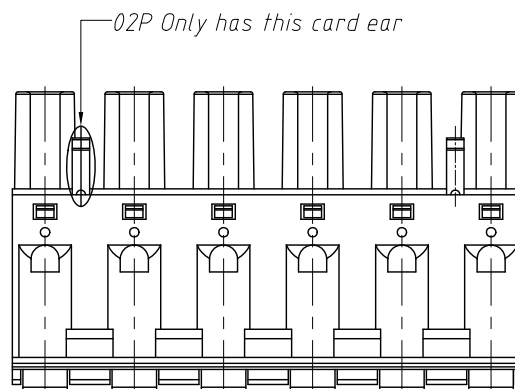
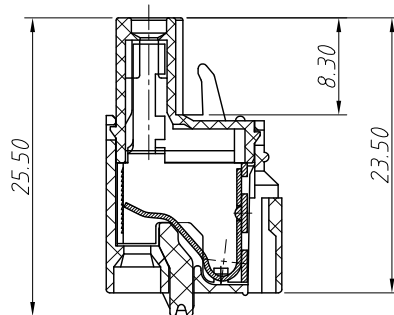
1 RoHS Compliance

6	7	8
REV	SYM	Revision Record
V0	KLS02006	New Version Release
		Appr. Jenny
		Date 2024-08-29

Electrical Characteristics	UL	IEC
Rated Voltage	300V	400V
Rated Current	10A	13.5A
Withstand Voltage	2000V / 1 min	---
Wire Range	14 ~ 28 AWG	2.5mm <sup>2</sup>



Material and other:  
 Housing: PA66, UL94V-0  
 Clamp: Copper alloy, Ni Plated  
 Shrapnel: Stainless steel  
 Contact resistance: 20mΩ  
 Insulation resistance: 500MΩ/DC500V  
 Strip Length: 7-8mm  
 Temp. Range: -40°C ~ +105°C



Order Information  
 L-KLS2-EDKE-7.62-XXP-4

RoHS Terminal Block  
 Pitch: 7.62mm  
 No.: Of (02 ~ 16) Pin  
 Color:  
 1=Gray 2=Blue 3=Black  
 4=Green 5=Orange 6=Red  
 7=Transp 8=Yellow 9=White

ANGLE TOLERANCE	PROJECTION	Description:
±3°		Pitch 7.62mm Pluggable Terminal Block, Plug
GENERAL TOLERANCE	UNITS	KLS P/N:
0 ~ 30 ±0.50	mm	L-KLS2-EDKE-7.62-XXP-4
30 ~ 60 ±0.75	SHEET SIZE	
60 ~ 90 ±1.00	A4	
	Draw:	Jenny 2024-08-29
	Check:	Daniel 2024-08-29



NingBo KLS ELECTRONIC CO.,L TD.