

1
RoHS Compliance

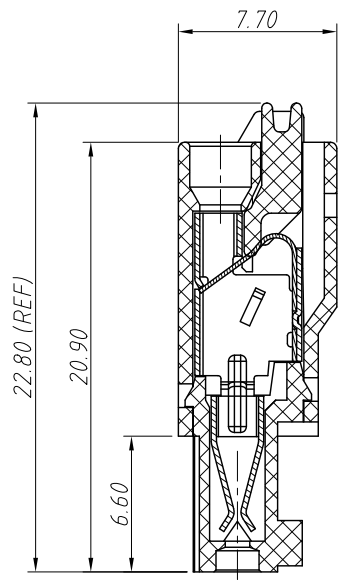
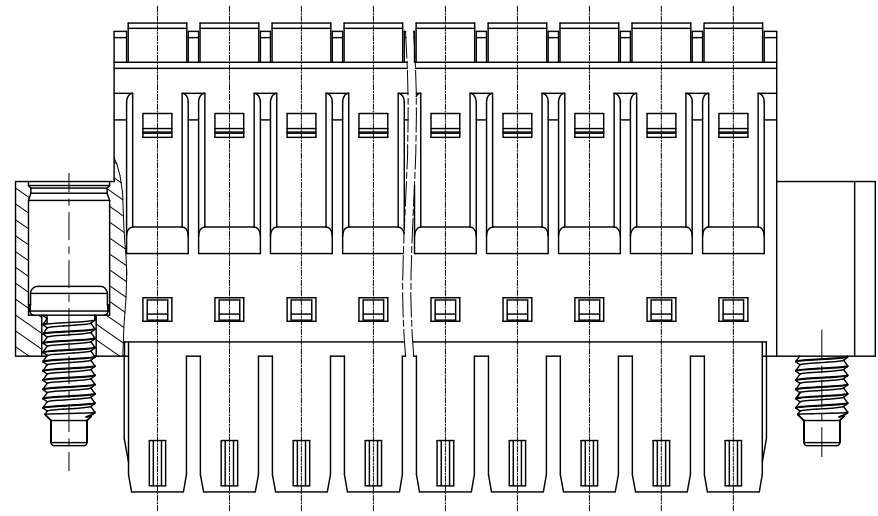
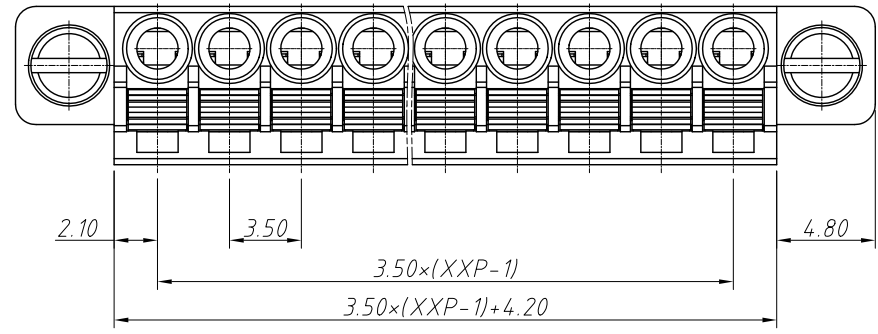
REV	SYM	Revision Record	Appr.	Date
V0	KLS02006	New Version Release	WuHao	2024-11-07

Electrical Characteristics	UL	IEC
Rated Voltage	300V	250V
Rated Current	8A	8A
Withstand Voltage	AC2000V/1 min	---
Wire Range	24 ~ 16 AWG	1.0 mm ²

Material and other:
 Housing:PA66, UL 94 V-0
 Clamp:Copper Alloy,Ni Plated
 Shrapnel:Stainless Steel
 Fix Screw:Steel Zn Plated
 Screw:Steel,M3.0,Zn Plated
 Contact resistance:20mΩ MAX
 Insulation resistance:500MΩ/DC500V
 Temp.Range:-40°C ~ +105°C
 Strip Length:9 ~ 10mm

Order Information
L-KLS2-FME-3.50-XXP-X

RoHS
 Terminal Block
 Pitch:3.50mm
 No.:Of (02~24) Pin
 Color:
 1=Gray 2=Blue 3=Black
 4=Green 5=Orange 6=Red
 7=Transp 8=Yellow 9=White

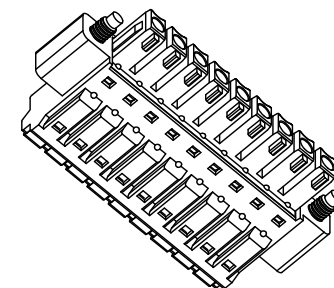
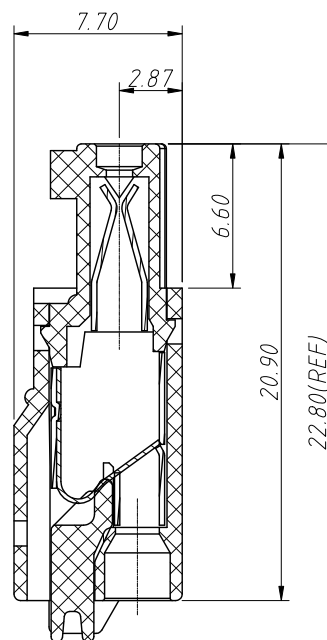
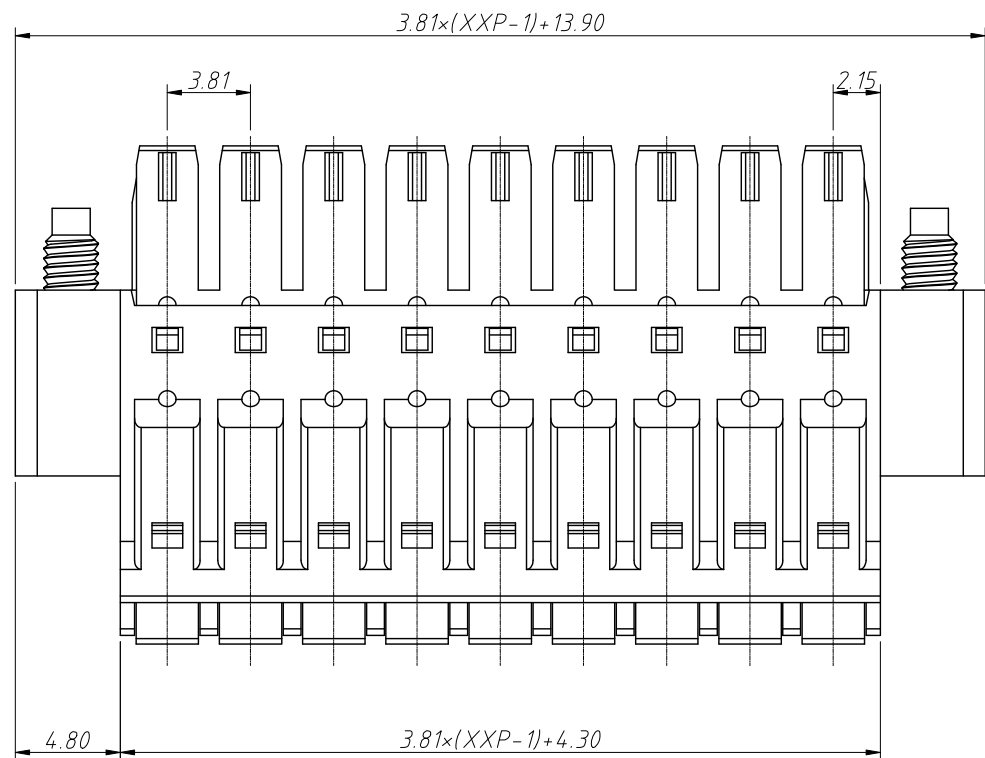


ANGLE TOLERANCE	PROJECTION	Description:
±3°		Pitch 3.50mm Terminal Block
GENERAL TOLERANCE	UNITS	mm
0 ~ 30	±0.50	
30 ~ 60	±0.75	
60 ~ 90	±1.00	
SHEET SIZE	A4	
Draw:	WuHao	2024-11-07
Check:	Daniel	2024-11-07
KLS ELECTRONIC		NingBo KLS ELECTRONIC CO.,LTD.

1 RoHS Compliance

REV	SYM	Revision Record	Appr.	Date
V0	KLS02006	New Version Release	Jenny	2024-08-20

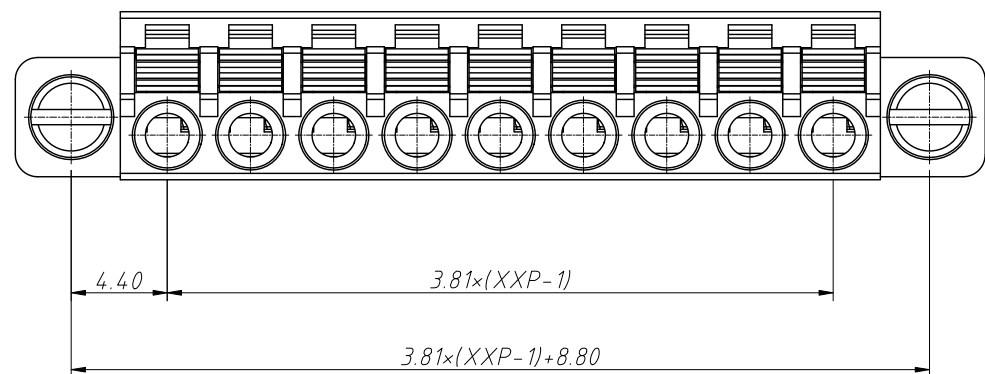
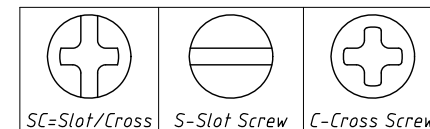
Electrical Characteristics	UL	IEC
Rated Voltage	300V	250V
Rated Current	8A	7A
Withstand Voltage	2000V / 1min	---
Wire Range	16 ~ 24 AWG	1.0mm ²



Order Information

L-KLS2-FME-3.81-XXP-4 X

- RoHS
- Terminal Block
- Pitch: 3.81mm
- No.: Of (02 ~ 24) Pin
- Color:
 - 1=Gray
 - 2=Blue
 - 3=Black
 - 4=Green
 - 5=Orange
 - 6=Red
 - 7=Transp
 - 8=Yellow
 - 9=White
- Screw: SC=Slot/Cross
- S-Slot Screw C-Cross Screw



Material and other:

- Housing: PA66, UL 94V-0
- Clamp: Copper alloy, Sn Plated
- Shrapnel: Stainless steel
- Screw: Steel, M2.5/Zn Plated
- Screw Torque: 0.4Nm max
- Stripping Length: 9-10mm
- Temp. Range: -40°C ~ +105°C
- Contact resistance: 20mΩ MAX
- Insulation resistance: 500MΩ/DC500V

ANGLE TOLERANCE	PROJECTION	Description:
±3°		Pitch 3.81mm Pluggable Terminal Block, Plug
GENERAL TOLERANCE	UNITS	mm
0 ~ 30	±0.50	SHEET SIZE
30 ~ 60	±0.75	Draw:
60 ~ 90	±1.00	Check:
		KLS P/N:
		L-KLS2-FME-3.81-XXP-4X
		2024-09-04
		2024-09-04



NingBo KLS ELECTRONIC CO.,L TD.