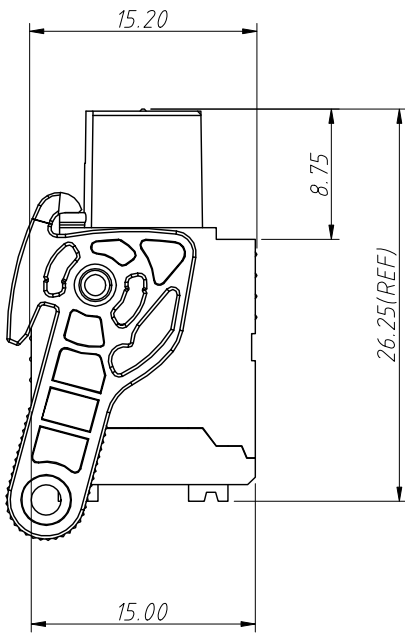
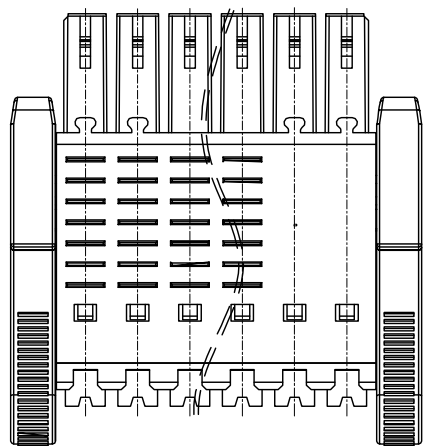


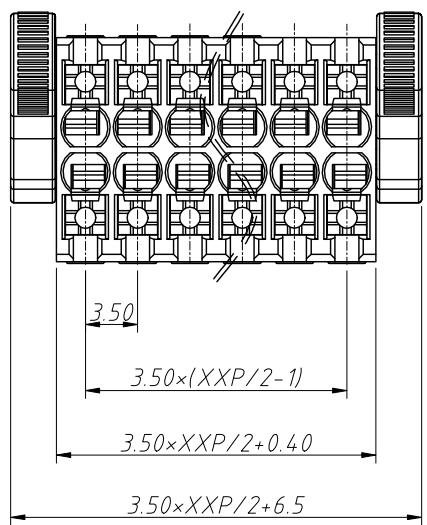
1
RoHS Compliance

6	7	8		
REV	SYM	Revision Record	Appr.	Date
V0	KLS02006	New Version Release	Jenny	2024-08-29



Electrical Characteristics	UL	IEC
Rated Voltage	300V	160V
Rated Current	9.5A	13.4A
Withstand Voltage	1600V / 1 min	2.5KV
Wire Range	16 ~ 26 AWG	0.2 ~ 1.5mm ²

Material and other:
 Housing:PA, UL 94V-0
 Contactor:Copper alloy, Sn Plated
 Stripping Length:10-11mm
 Operating temperature:-40°C ~ +105°C



Order Information
 L-KLS2-FMKBG-3.50-XXP-4

RoHS
 Terminal Block
 Pitch:3.50mm
 No.:Of (04 ~ 48) Pin
 Color:
 1=Gray 2=Blue 3=Black
 4=Green 5=Orange 6=Red
 7=Transp 8=Yellow 9=White

ANGLE TOLERANCE	PROJECTION	Description:
±3°		Pitch 3.50mm Pluggable Terminal Block, Plug
GENERAL TOLERANCE	UNITS	mm
0 ~ 30	±0.50	
30 ~ 60	±0.75	
60 ~ 90	±1.00	
SHEET SIZE	A4	
Draw:	Jenny	2024-09-05
Check:	Daniel	2024-09-05
KLS ELECTRONIC		NingBo KLS ELECTRONIC CO.,L TD.