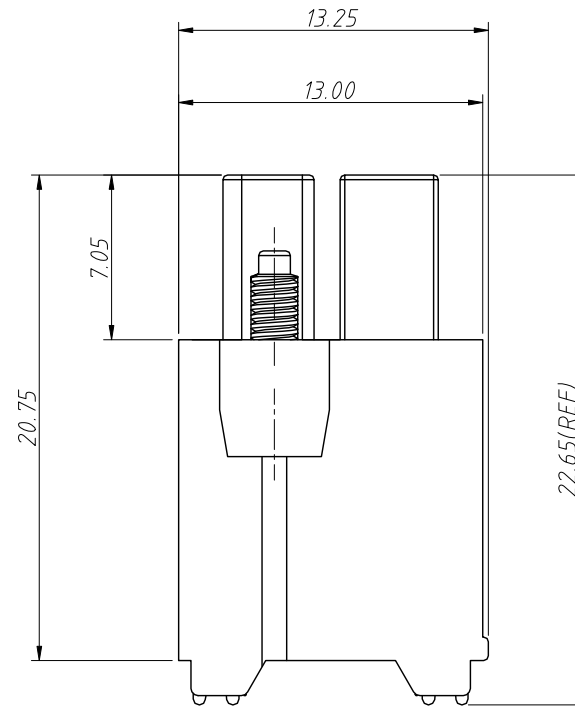
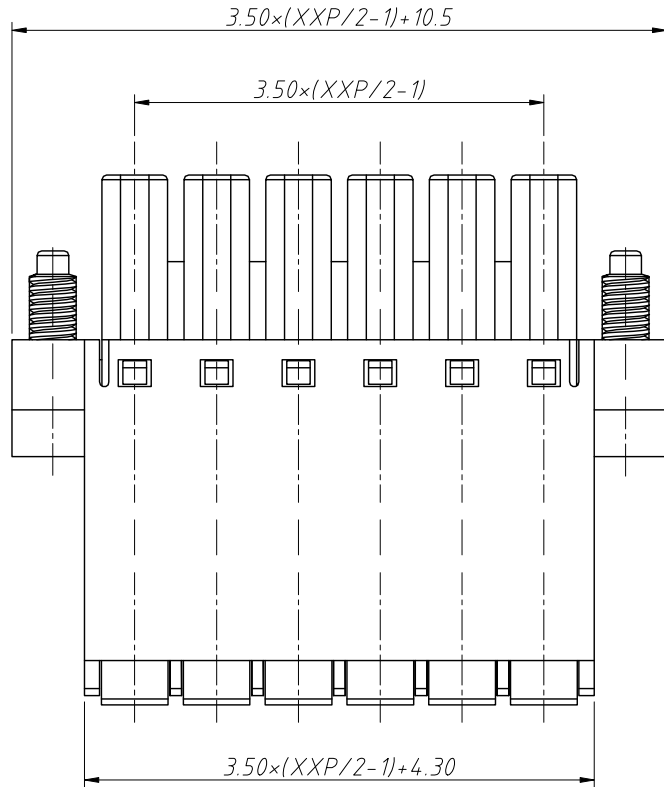


RoHS Compliance

REV	SYM	Revision Record	Appr.	Date
V0	KLS02006	New Version Release	Jenny	2024-08-22



Electrical Characteristics	UL	IEC
Rated Voltage	300V	160V
Rated Current	8A	8A
Withstand Voltage	1600V / 1min	2.5KV
Wire Range	16 ~ 24 AWG	0.2 ~ 1.5mm ²

Material and other:

Housing: PA66, UL94V-0

Pins: Copper alloy, Sn Plated

Stripping Length: 9-10mm

Temp. Range: -40°C ~ +105°C

Order Information

L-KLS2-FMHM-3.50-XXP-4

RoHS

Terminal Block

Pitch: 3.50mm

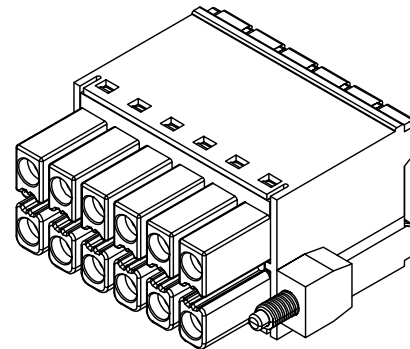
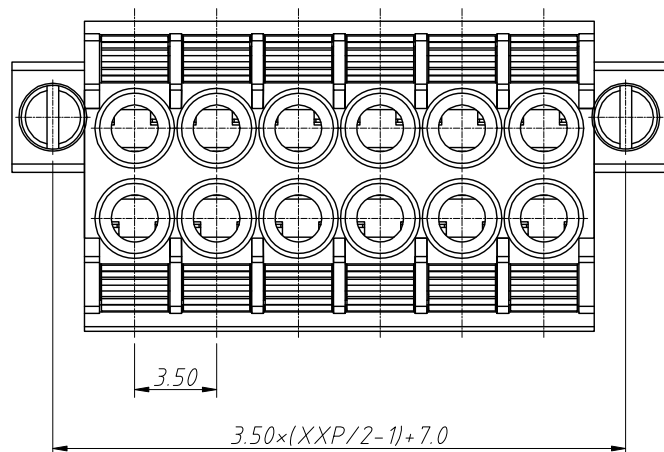
No.: Of (2x02 ~ 2x24) Pin

Color:

1=Gray 2=Blue 3=Black

4=Green 5=Orange 6=Red

7=Transp 8=Yellow 9=White



ANGLE TOLERANCE	PROJECTION	Description:		
±3°		Pitch 3.50mm Pluggable Terminal Block, Plug		
GENERAL TOLERANCE	UNITS	mm	KLS P/N:	L-KLS2-FMHM-3.50-XXP-4
0 ~ 30	±0.50	SHEET SIZE	A4	
30 ~ 60	±0.75	Draw:	Jenny	2024-08-22
60 ~ 90	±1.00	Check:	Daniel	2024-08-22



NingBo KLS ELECTRONIC CO.,L TD.