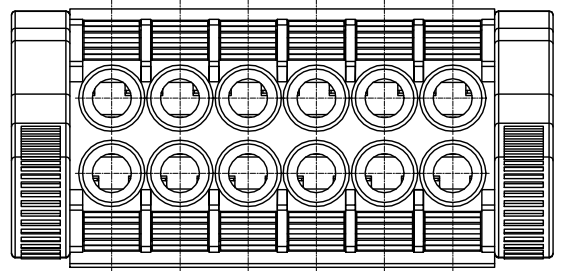
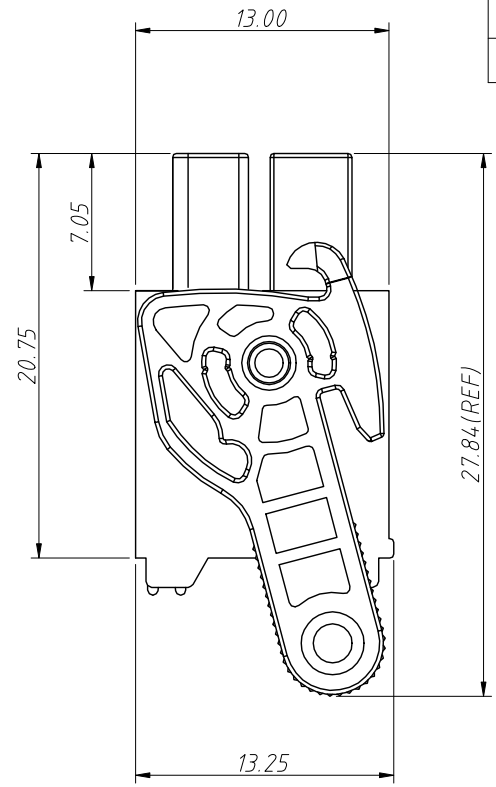
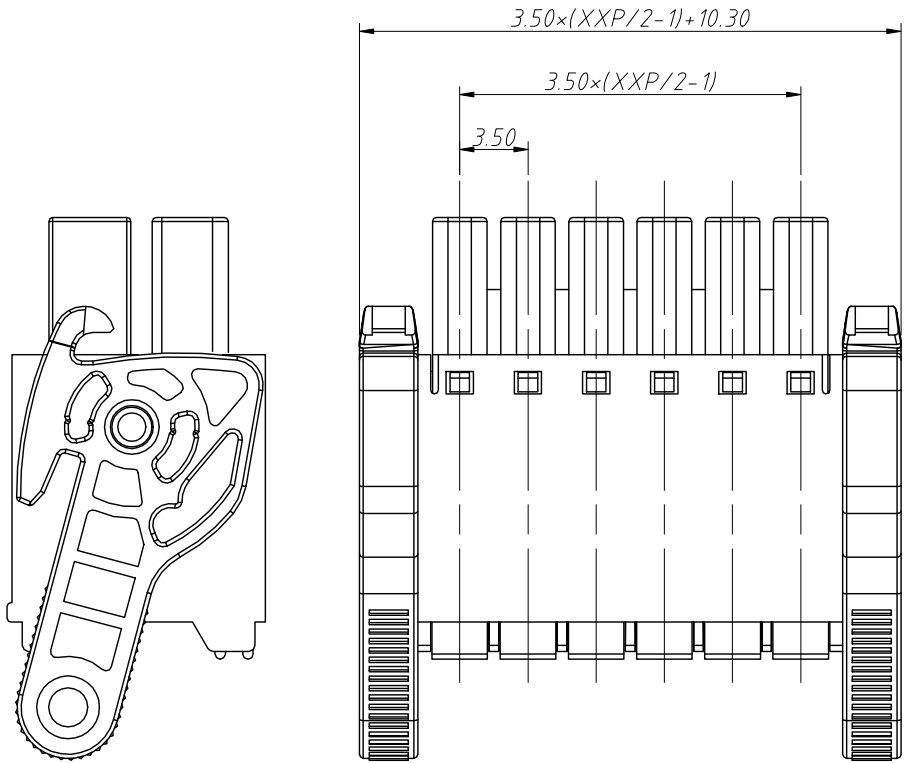


1
RoHS Compliance

6		7		8	
REV	SYM	Revision Record		Appr.	Date
V0	KLS02006	New Version Release		Jenny	2024-08-29

Electrical Characteristics	UL	IEC
Rated Voltage	300V	160V
Rated Current	8A	8A
Withstand Voltage	1600V / 1 min	2.5
Wire Range	16~24 AWG	0.2-1.5mm ²



Material and other:
 Housing:PA66, UL 94 V-0
 Contactor:Copper alloy,Sn Plated
 Stripping Length:9-10mm
 Operating temperature:-40°C ~ +105°C

Order Information
 L-KLS2-FMHG-3.50-XXP-4

RoHS
 Terminal Block
 Pitch:3.50mm
 No.:Of (04~48) Pin
 Color:

1=Gray 2=Blue 3=Black
 4=Green 5=Orange 6=Red
 7=Transp 8=Yellow 9=White

ANGLE TOLERANCE	PROJECTION	Description:			
±3°		Pitch 3.50mm Pluggable Terminal Block,Plug			
GENERAL TOLERANCE	UNITS	mm	KLS P/N:	L-KLS2-FMHG-3.50-XXP-4	
0~30	±0.50	SHEET SIZE	A4		
30~60	±0.75	Draw:	Jenny	2024-09-05	
60~90	±1.00	Check:	Daniel	2024-09-05	

NingBo KLS ELECTRONIC CO.,L TD.