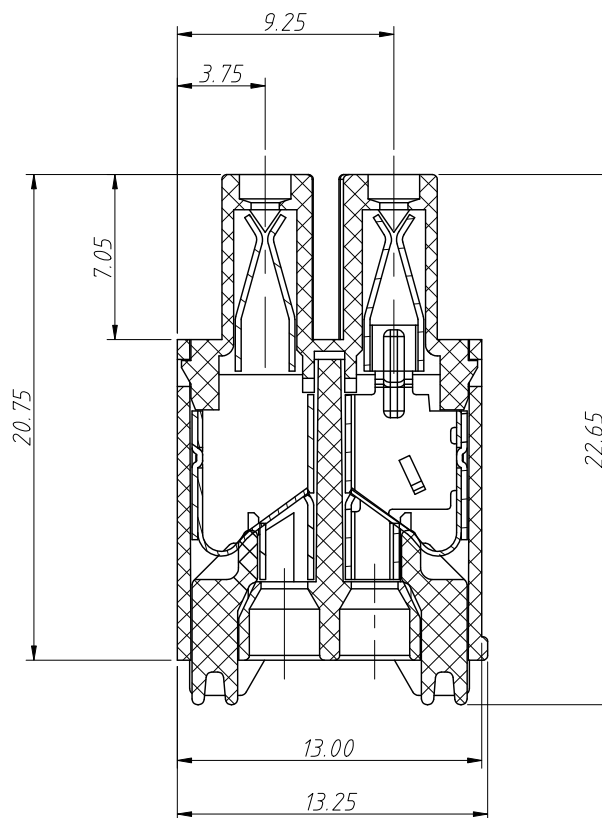
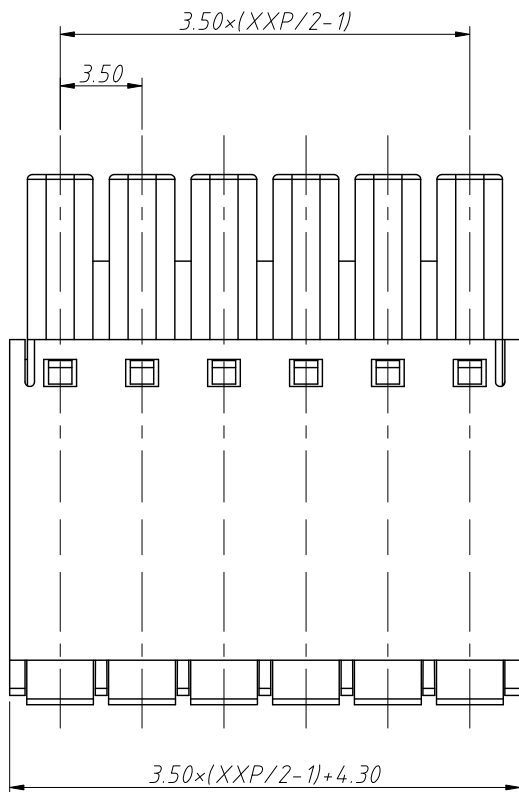
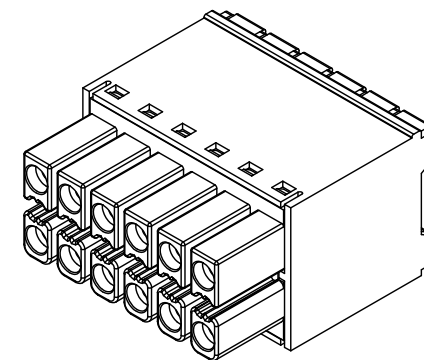


1  
RoHS Compliance

REV	SYM	Revision Record	Appr.	Date
V0	KLS02006	New Version Release	Jenny	2024-10-24



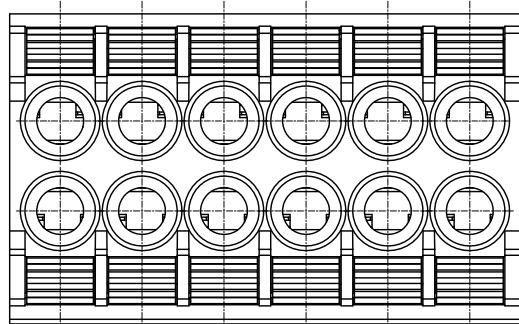
Electrical Characteristics	UL	IEC
Rated Voltage	300V	160V
Rated Current	8A	8A
Withstand Voltage	1600V / 1 min	2.5KV
Wire Range	16 ~ 24 AWG	0.2 ~ 1.5mm <sup>2</sup>



Order Information

L-KLS2-FMH-3.50-XXP-4

- RoHS
- Terminal Block
- Pitch: 3.50mm
- No.: Of (04 ~ 48) Pin
- Color:
  - 1=Gray
  - 2=Blue
  - 3=Black
  - 4=Green
  - 5=Orange
  - 6=Red
  - 7=Transp
  - 8=Yellow
  - 9=White



Material and other:  
 Housing: PA66, UL 94V-0  
 Clamp: Copper alloy, Sn Plated  
 Stripping Length: 9-10mm  
 Operating temperature: -40°C ~ +105°C

ANGLE TOLERANCE	PROJECTION	Description:
±3°		Pitch 3.50mm Pluggable Terminal Block, Plug
GENERAL TOLERANCE	UNITS	mm
0 ~ 30	±0.50	KLS P/N:
30 ~ 60	±0.75	L-KLS2-FMH-3.50-XXP-4
60 ~ 90	±1.00	
	SHEET SIZE	A4
	Draw:	Jenny
	Check:	Daniel
		2024-10-24
		2024-10-24



NingBo KLS ELECTRONIC CO.,LTD.