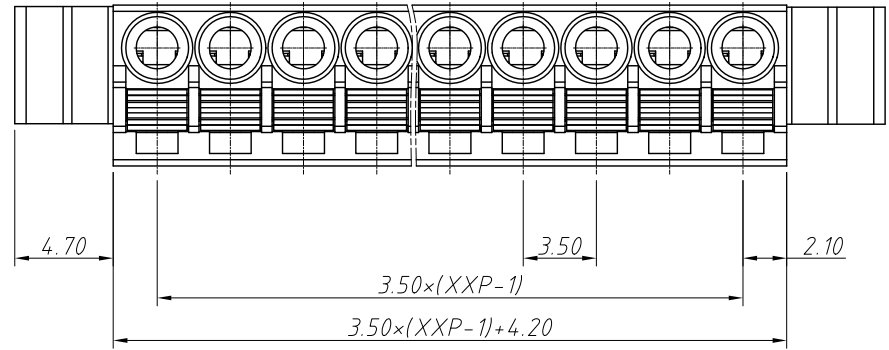


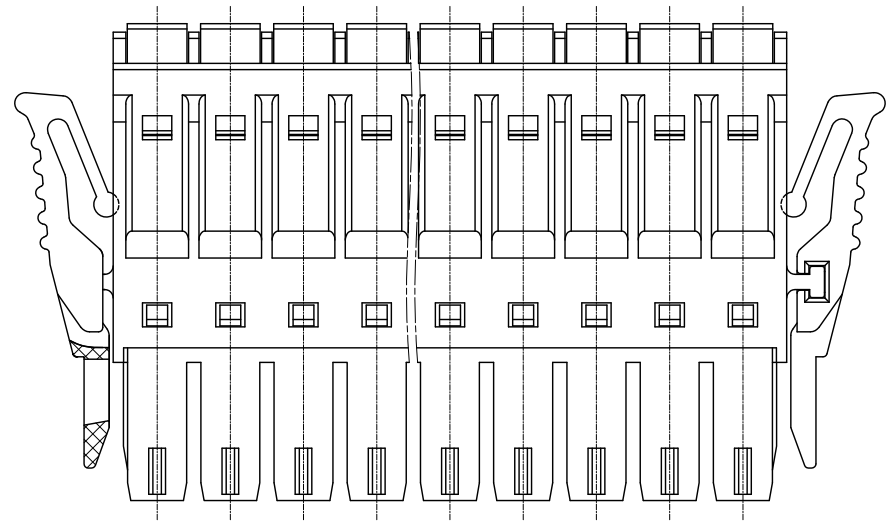
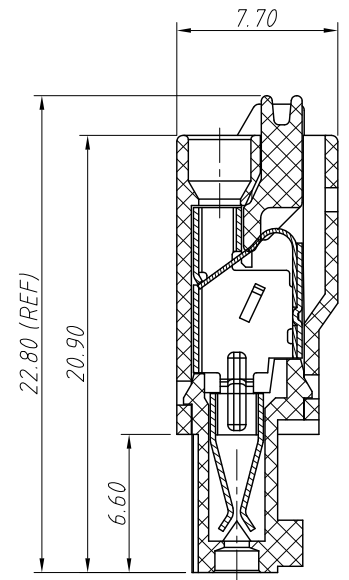
1  
RoHS Compliance

REV	SYM	Revision Record	Appr.	Date
V0	KLS02006	New Version Release	WuHao	2024-11-07

Electrical Characteristics	UL	IEC
Rated Voltage	300V	250V
Rated Current	8A	8A
Withstand Voltage	AC2000V/1 min	---
Wire Range	24 ~ 16 AWG	1.0 mm <sup>2</sup>



Material and other:  
 Housing: PA66, UL 94V-0  
 Pin Header: Copper Alloy, Ni Plated  
 Shrapnel: Stainless Steel  
 Contact resistance: 20mΩ MAX  
 Insulation resistance: 500MΩ/DC500V  
 Temp. Range: -40°C ~ +105°C  
 Strip Length: 9 ~ 10mm



Order Information  
 L-KLS2-FMD-3.50-XXP-X

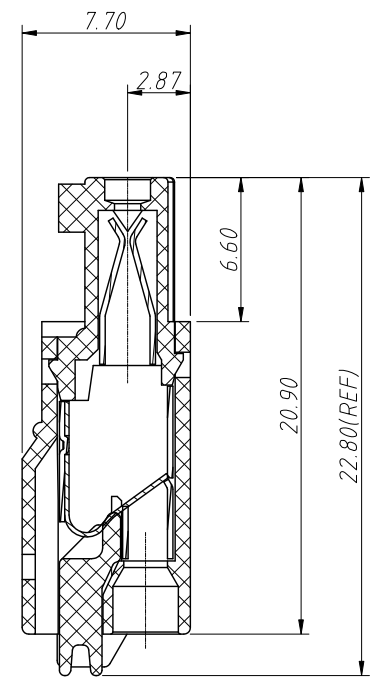
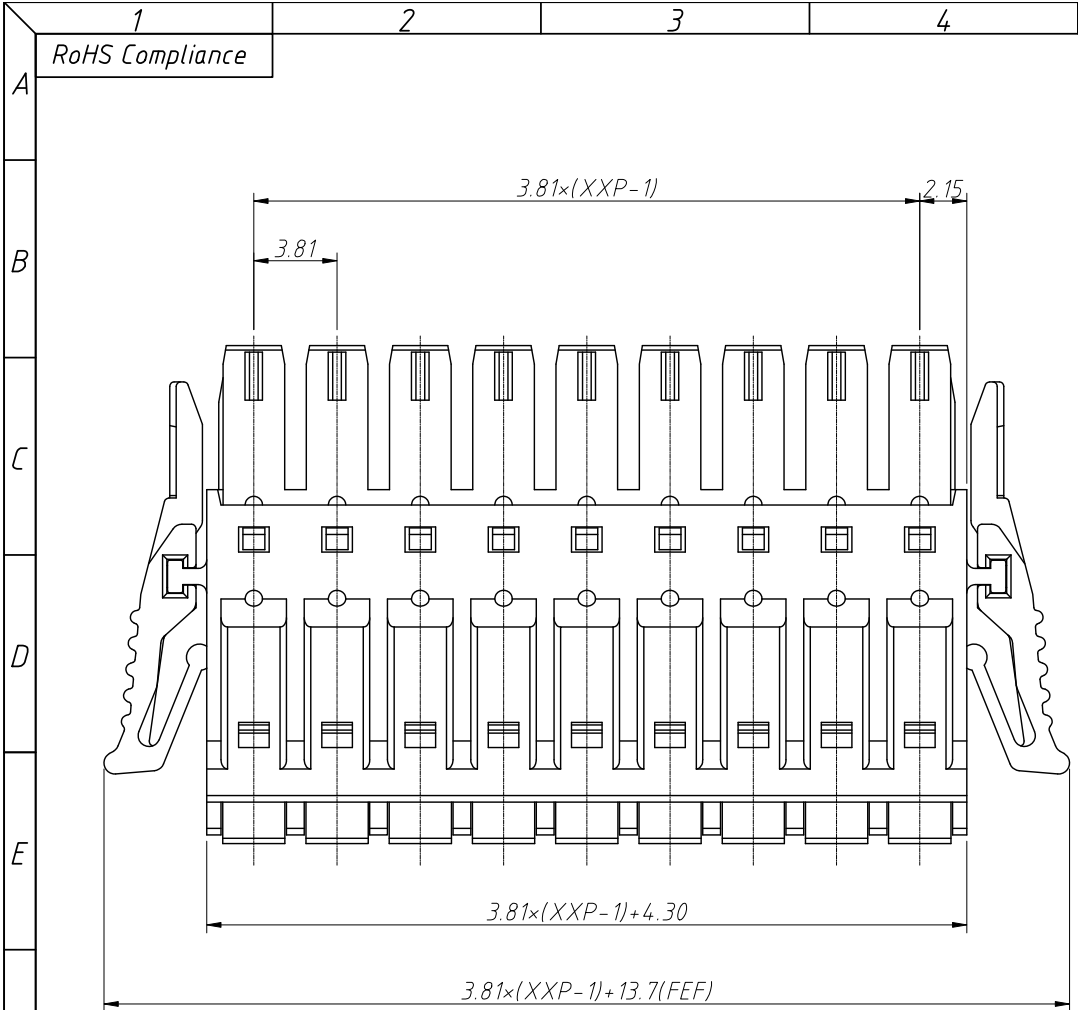
RoHS  
 Terminal Block  
 Pitch: 3.50mm  
 No.: Of (02 ~ 24) Pin  
 Color:

1=Gray    2=Blue    3=Black  
 4=Green    5=Orange    6=Red  
 7=Transp    8=Yellow    9=White

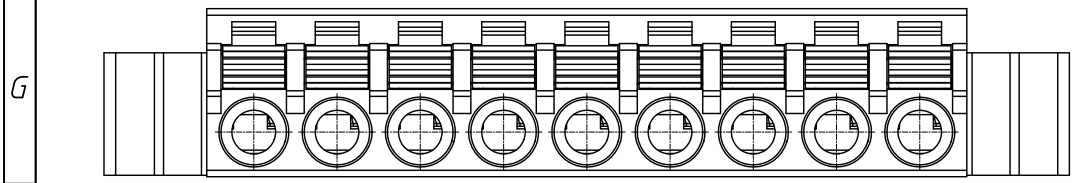
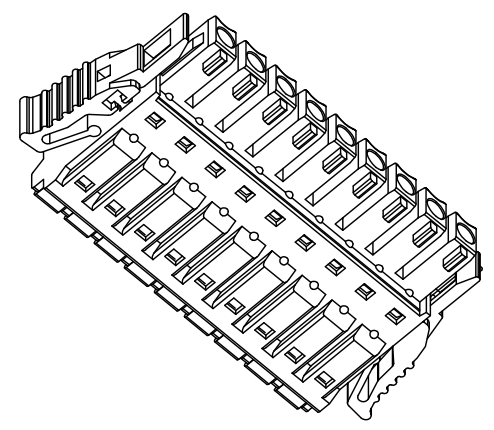
ANGLE TOLERANCE	PROJECTION	Description:
±3°		Pitch 3.50mm Terminal Block
GENERAL TOLERANCE	UNITS	mm
0 ~ 30	±0.50	SHEET SIZE
30 ~ 60	±0.75	Draw:
60 ~ 90	±1.00	Check:
KLS P/N:		L-KLS2-FMD-3.50-XXP-X
KLS ELECTRONIC		NingBo KLS ELECTRONIC CO., L TD.

1  
RoHS Compliance

REV	SYM	Revision Record	Appr.	Date
V0	KLS02006	New Version Release	Jenny	2024-08-20



Electrical Characteristics	UL	IEC
Rated Voltage	300V	250V
Rated Current	8A	7A
Withstand Voltage	2000V / 1min	---
Wire Range	16 ~ 24 AWG	1.0mm <sup>2</sup>



**Material and other:**  
 Housing: PA66, UL 94V-0  
 Clamp: Copper alloy, Sn Plated  
 Shrapnel: Stainless steel  
 Stripping Length: 9-10mm  
 Temp. Range: -40°C ~ +105°C  
 Contact resistance: 20mΩ MAX  
 Insulation resistance: 500MΩ/DC500V

**Order Information**  
 L-KLS2-FMD-3.81-XXP-4  
 RoHS  
 Terminal Block  
 Pitch: 3.81mm  
 No.: Of (02~24) Pin  
 Color:  
 1=Gray    2=Blue    3=Black  
 4=Green    5=Orange    6=Red  
 7=Transp    8=Yellow    9=White

ANGLE TOLERANCE	PROJECTION	Description:
±3°		Pitch 3.81mm Pluggable Terminal Block, Plug
GENERAL TOLERANCE	UNITS	mm
0~30	±0.50	SHEET SIZE
30~60	±0.75	Draw:
60~90	±1.00	Check:
		KLS P/N:
		L-KLS2-FMD-3.81-XXP-4
		NingBo KLS ELECTRONIC CO.,L TD.