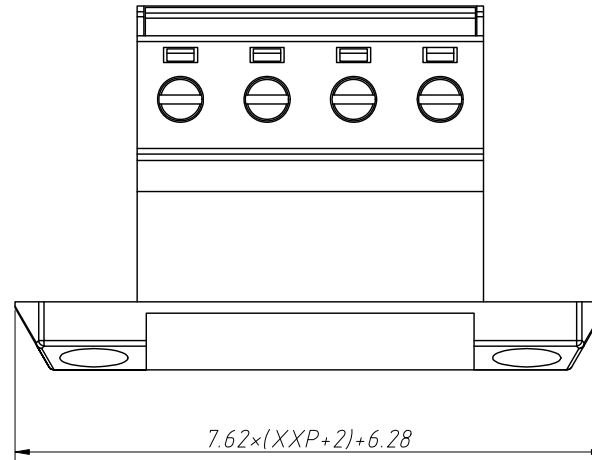
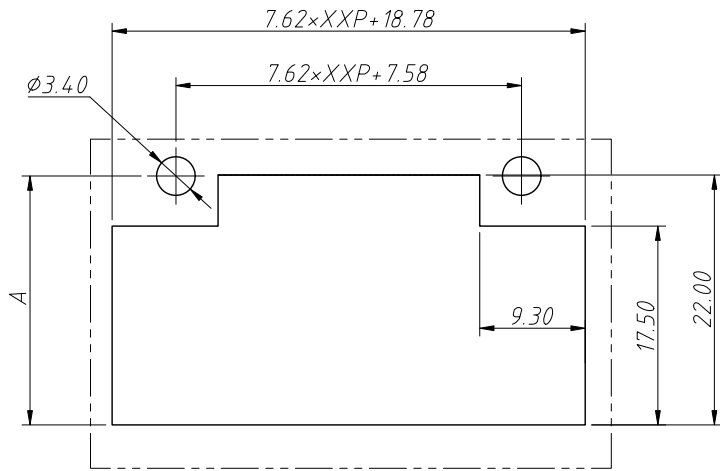


RoHS Compliance

REV	SYM	Revision Record	Appr.	Date
V0	KLS02006	New Version Release	Song	2024-08-20

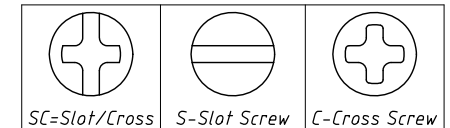
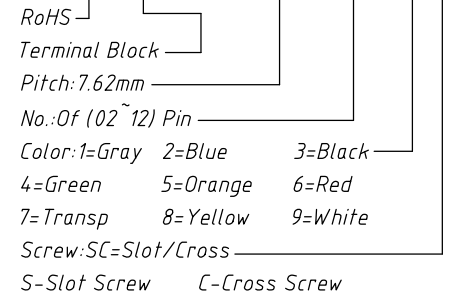


Electrical Characteristics	UL	IEC
Rated Voltage	300V	400V
Rated Current	35A	20A
Withstand Voltage	1600V / 1min	6.0KV
Wire Range	30 ~ 10 AWG	0.2 ~ 4.0mm ²

Material and other:
 Housing+Cover: PA66, UL 94 V-0
 Pin: Copper Alloy, Sn Plated
 Cage: Copper Alloy, M3/Ni Plated
 Screw/Torque: Steel, M3/Zn Plated/0.5N.m Max
 Nut: Copper Alloy, M3
 Stripping Length: ~ 8 mm
 Operating Temperature: $-40^{\circ}\text{C} \sim +105^{\circ}\text{C}$

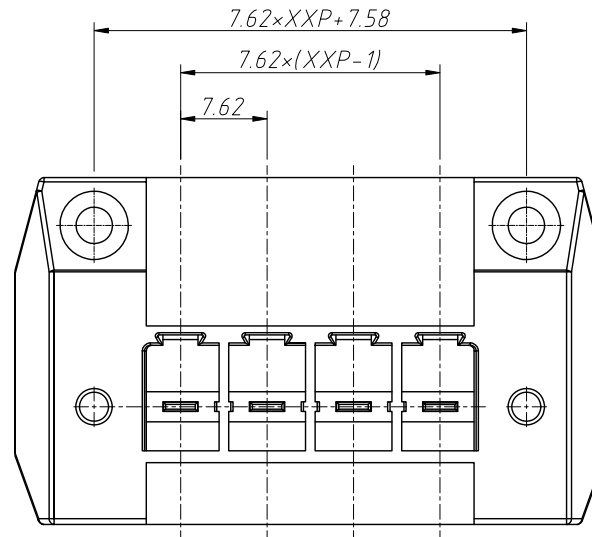
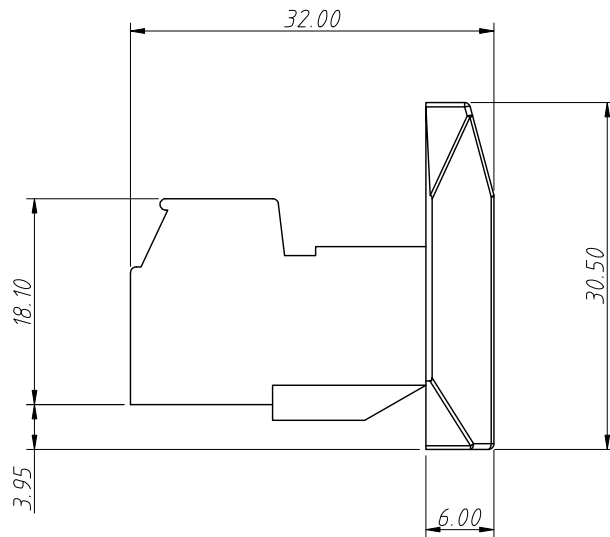
Order Information

L-KLS2-DGKRP-7.62-XXP-X X



A	21.4	21.9	22.5	23.1	23.7
W(Board Thickness)	1	2	3	4	5

Recommended PCB Layout



ANGLE TOLERANCE	PROJECTION	Description:
$\pm 3^{\circ}$		Pitch 7.62mm Din-Rail Terminal Block
GENERAL TOLERANCE	UNITS	mm
0 ~ 30	± 0.50	SHEET SIZE
30 ~ 60	± 0.75	Draw:
60 ~ 90	± 1.00	Check:
		KLS P/N:
		L-KLS2-DGKRP-7.62-XXP-XX
		2024-08-20
		2024-08-20

NingBo KLS ELECTRONIC CO.,L TD.