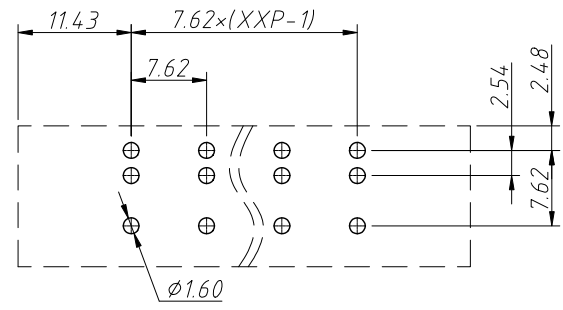
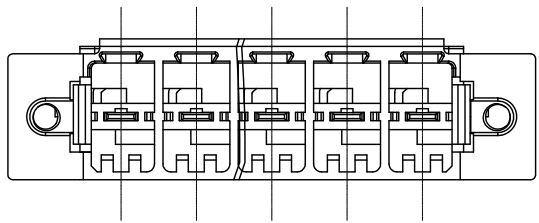


1
RoHS Compliance

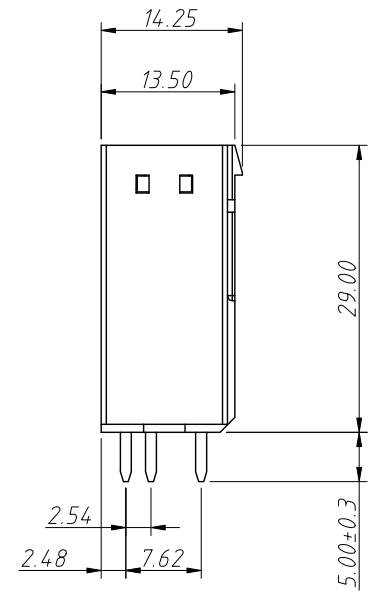
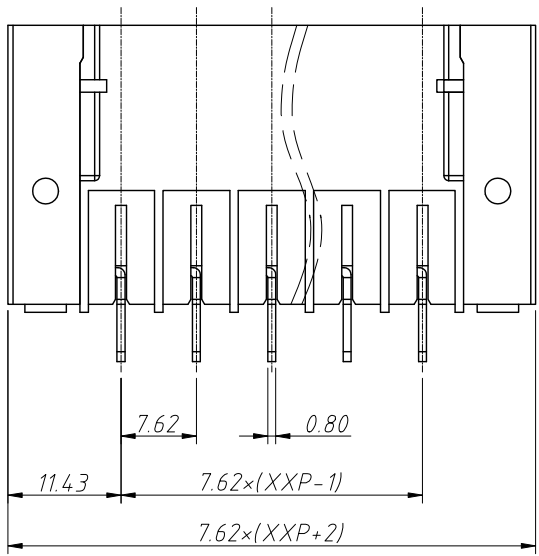
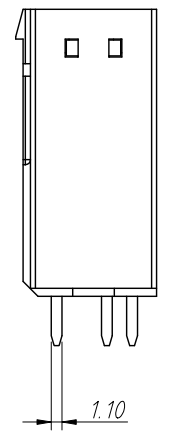
REV	SYM	Revision Record	Appr.	Date
V0	KLS02006	New Version Release	WuHao	2024-09-27



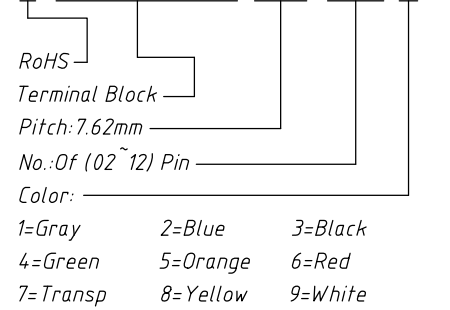
Electrical Characteristics	UL	IEC
Rated Voltage	300V	630V
Rated Current	41A	41A
Withstand Voltage	1600V/1 min	6.0KV

Recommended PCB Layout

Material and other:
 Housing :PA66,UL 94V-0
 Pin Header:Coppy Alloy,Sn Plated
 Operating Temperature:-40°C ~ +105°C



Order Information
 L-KLS2-KKFVM-7.62-XXP-X



ANGLE TOLERANCE	PROJECTION	Description:
$\pm 3^\circ$		Pitch 7.62mm Pluggable Terminal Block,Socket
GENERAL TOLERANCE	UNITS	mm
0~30	± 0.50	KLS P/N:
30~60	± 0.75	SHEET SIZE
60~90	± 1.00	Draw: WuHao 2024-09-27
	Check: Daniel 2024-09-27	L-KLS2-KKFVM-7.62-XXP-X

