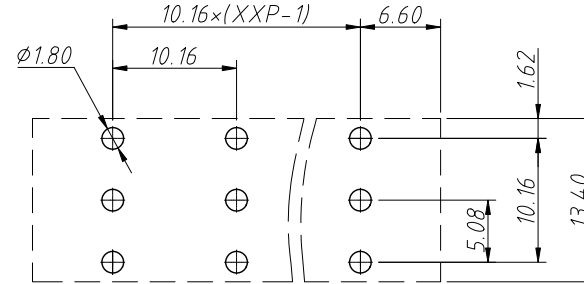
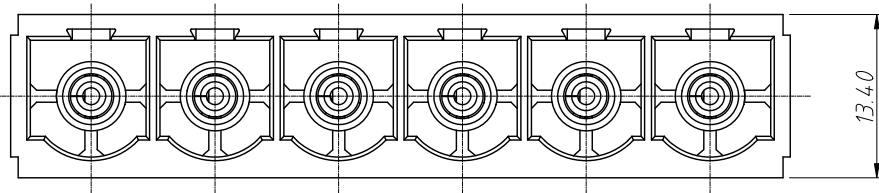
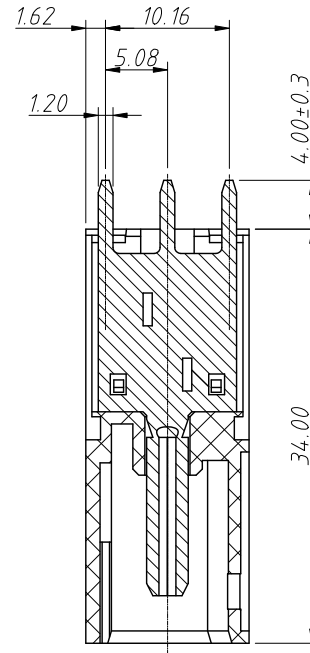
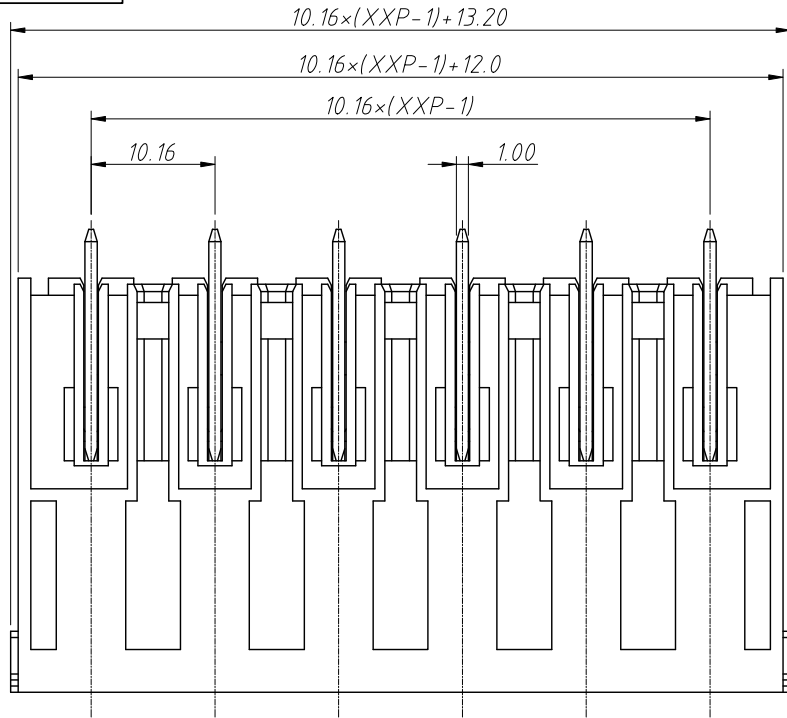


RoHS Compliance



Recommended PCB Layout

REV	SYM	Revision Record	Appr.	Date
V0	KLS02006	New Version Release	WuHao	2024-09-27

Electrical Characteristics	UL	IEC
Rated Voltage	300V	1000V
Rated Current	55A	76A
Withstand Voltage	1600V/1 min	8.0KV

Material and other:  
 Housing :PA66,UL94 V-0  
 Pin Header:Coppo Alloy,Sn Plated  
 Operating Temperature:-40°C ~ +105°C

Order Information

L-KLS2-KKFV-10.16-XXP-X

RoHS  
 Terminal Block  
 Pitch: 7.62mm  
 No. of (02~18) Pin  
 Color:  
 1=Gray    2=Blue    3=Black  
 4=Green    5=Orange    6=Red  
 7=Transp    8=Yellow    9=White

ANGLE TOLERANCE	PROJECTION	Description:
$\pm 3^\circ$		Pitch 7.62mm Pluggable Terminal Block, Socket
GENERAL TOLERANCE	UNITS	mm
0~30	$\pm 0.50$	SHEET SIZE
30~60	$\pm 0.75$	Draw:
60~90	$\pm 1.00$	Check:
		KLS P/N:
		L-KLS2-KKFV-10.16-XXP-X
		WuHao 2024-09-27
		Daniel 2024-09-27



NingBo KLS ELECTRONIC CO.,LTD.