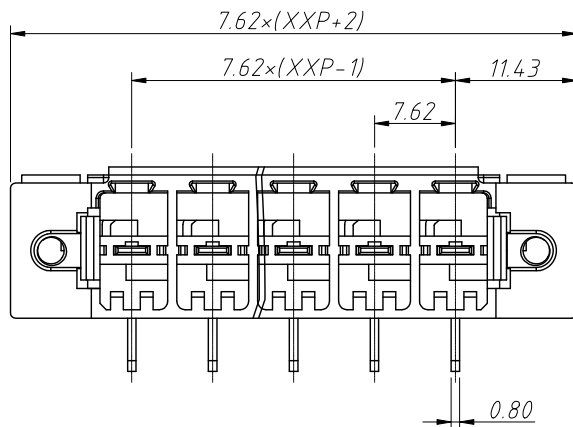
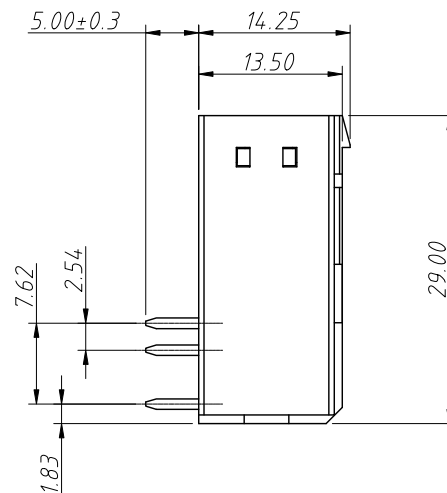
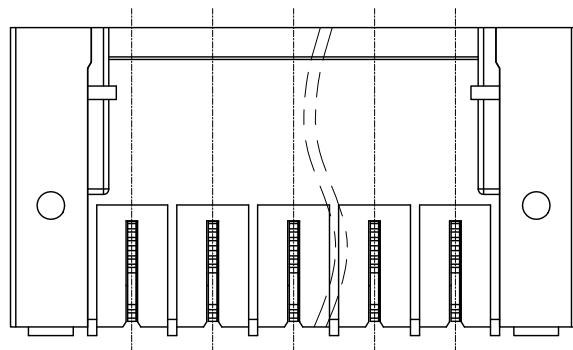
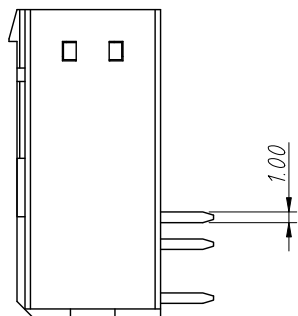


1 RoHS Compliance

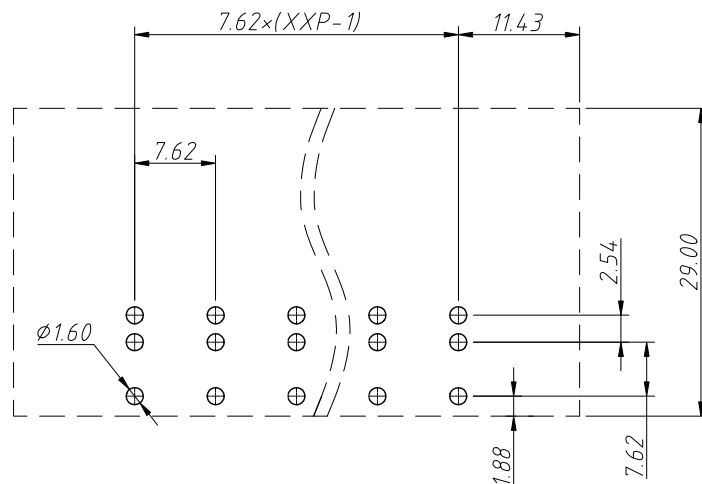
REV	SYM	Revision Record	Appr.	Date
V0	KLS02006	New Version Release	WuHao	2024-09-27



Electrical Characteristics	UL	IEC
Rated Voltage	300V	630V
Rated Current	41A	41A
Withstand Voltage	1600V/1 min	6.0KV



Material and other:
 Housing :PA66,UL94 V-0
 Pin Header: Cobby Alloy, Sn Plated
 Operating Temperature: -40°C ~ +105°C



Recommended PCB Layout

Order Information
 L-KLS2-KKFRM-7.62-XXP-X
 RoHS
 Terminal Block
 Pitch: 7.62mm
 No. Of (02~12) Pin
 Color:
 1=Gray 2=Blue 3=Black
 4=Green 5=Orange 6=Red
 7=Transp 8=Yellow 9=White

ANGLE TOLERANCE	PROJECTION	Description:
±3°		Pitch 7.62mm Pluggable Terminal Block, Socket
GENERAL TOLERANCE	UNITS	mm
0~30	±0.50	SHEET SIZE
30~60	±0.75	A4
60~90	±1.00	Draw: WuHao 2024-09-27
	Check: Daniel 2024-09-27	



NingBo KLS ELECTRONIC CO.,L TD.