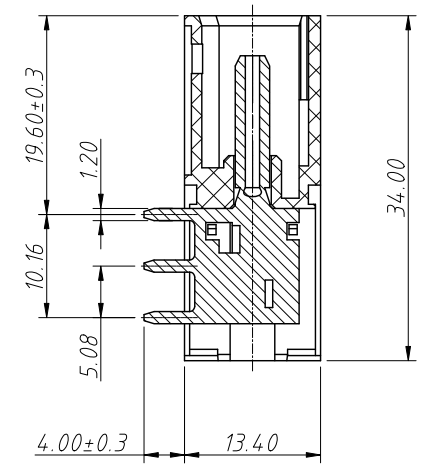
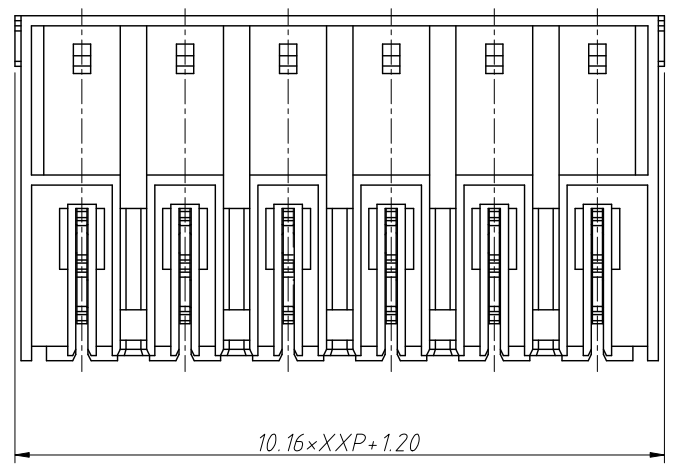


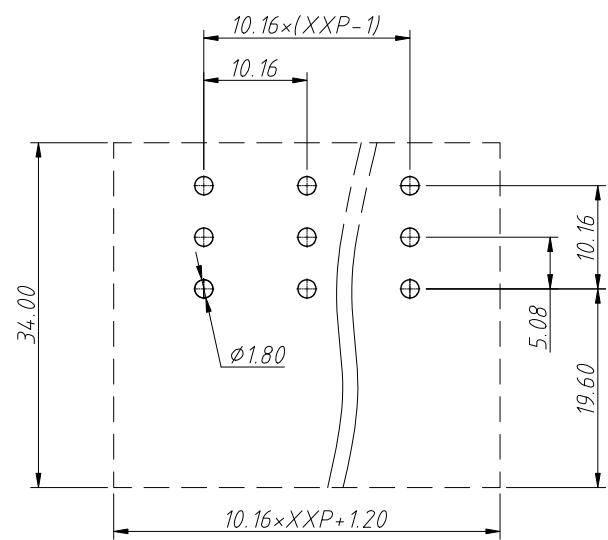
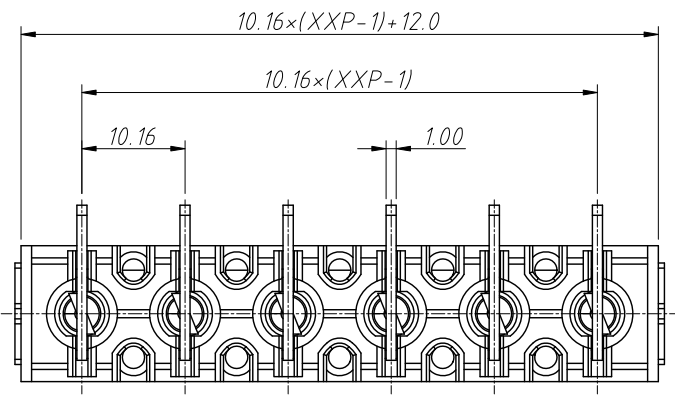
1  
RoHS Compliance

REV	SYM	Revision Record	Appr.	Date
V0	KLS02006	New Version Release	WuHao	2024-09-27

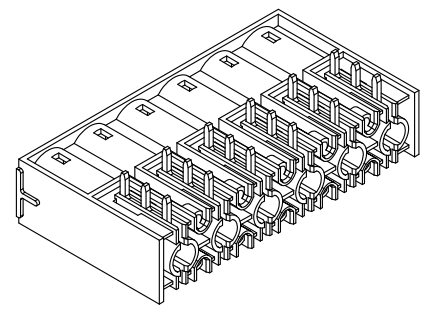


Electrical Characteristics	UL	IEC
Rated Voltage	300V	1000V
Rated Current	55A	76A
Withstand Voltage	AC3500V/1min	---

Material and other:  
 Housing: PA66, UL 94 V-0  
 Pin Header: Copper Alloy, Sn Plated  
 Contact resistance: 20mΩ  
 Insulation resistance: 500MΩ/DC500V  
 Temp. Range: -40°C ~ +105°C  
 MAX Soldering: +250°C, for 5 Sec



Order Information  
 L-KLS2-KKFR-10.16-XXP-X  
 RoHS  
 Terminal Block  
 Pitch: 10.16mm  
 No. of (02 ~ 18) Pin  
 Color:  
 1=Gray    2=Blue    3=Black  
 4=Green    5=Orange    6=Red  
 7=Transp    8=Yellow    9=White



Recommended PCB Layout

ANGLE TOLERANCE	PROJECTION	Description:
±3°		Pitch 10.16mm Pluggable Terminal Block, Socket
GENERAL TOLERANCE	UNITS	mm
0 ~ 30	±0.50	SHEET SIZE
30 ~ 60	±0.75	Draw:
60 ~ 90	±1.00	Check:
		KLS P/N:
		L-KLS2-KKFR-10.16-XXP-X
		WuHao 2024-09-27
		Daniel 2024-09-27

