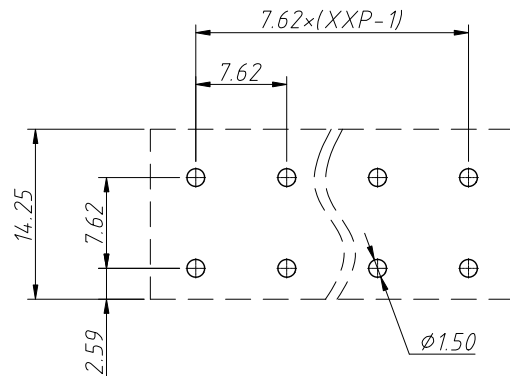
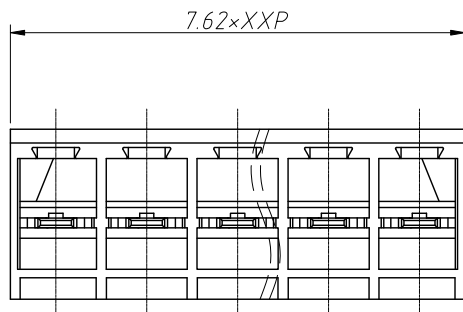


1 RoHS Compliance

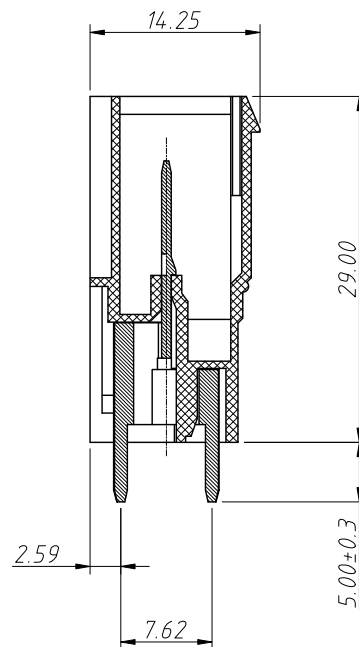
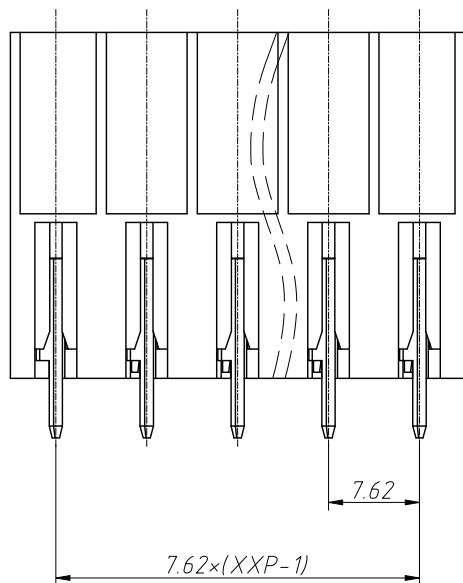
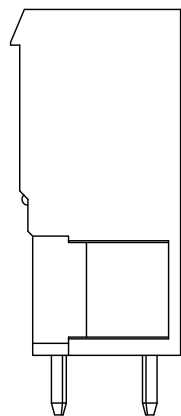
REV	SYM	Revision Record	Appr.	Date
V0	KLS02006	New Version Release	WuHao	2024-09-27



Recommended PCB Layout

Electrical Characteristics	UL	IEC
Rated Voltage	300V	400V
Rated Current	30A	20A
Withstand Voltage	1600V/1 min	6.0KV

Material and other:
 Housing :PA66,UL94V-0
 Pin Header:Coppo Alloy,Sn Plated
 Operating Temperature:-40°C ~ +105°C



Order Information

L-KLS2-KFV-7.62-XXP-X

- RoHS
- Terminal Block
- Pitch: 7.62mm
- No.: Of (02~24) Pin
- Color:
 - 1=Gray
 - 2=Blue
 - 3=Black
 - 4=Green
 - 5=Orange
 - 6=Red
 - 7=Transp
 - 8=Yellow
 - 9=White

ANGLE TOLERANCE	PROJECTION	Description:
$\pm 3^\circ$		Pitch 7.62mm Pluggable Terminal Block, Socket
GENERAL TOLERANCE	UNITS	mm
0~30	± 0.50	KLS P/N:
30~60	± 0.75	SHEET SIZE
60~90	± 1.00	A4
Draw:	WuHao	2024-09-27
Check:	Daniel	2024-09-27



NingBo KLS ELECTRONIC CO.,L TD.