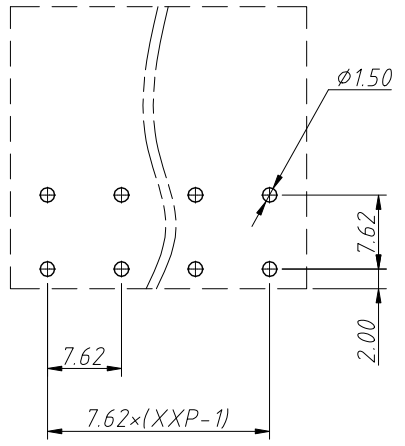


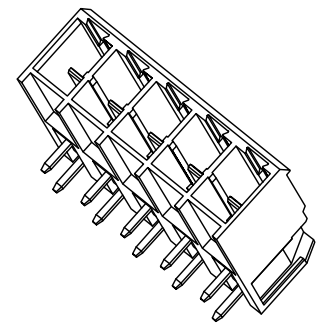
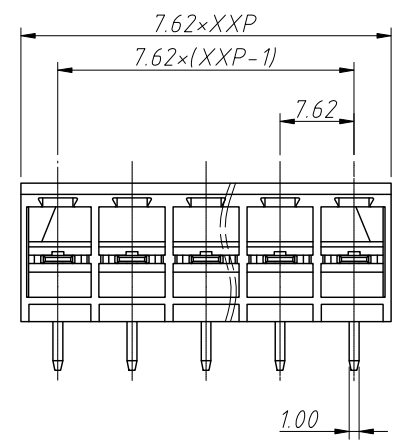
1
RoHS Compliance

6	7	8
REV	SYM	Revision Record
V0	KLS02006	New Version Release
		Appr.
		WuHao
		Date
		2024-09-26

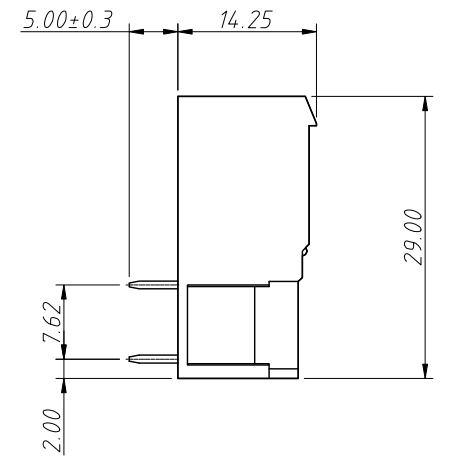
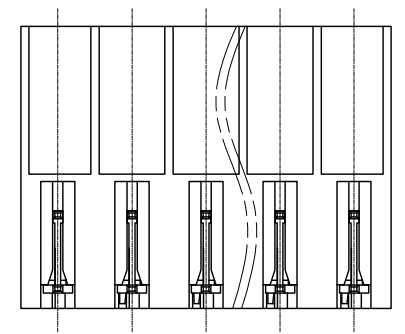
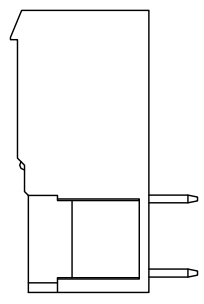
Electrical Characteristics	UL	IEC
Rated Voltage	300V	400V
Rated Current	30A	20A
Withstand Voltage	1600V/1 min	6.0KV



Recommended PCB Layout



Material and other:
 Housing :PA66,UL 94V-0
 Pin Header:Coppo Alloy,Sn Plated
 Operating Temperature:-40°C ~ +105°C
 Soldering Temperature:260°C /5S



Order Information
L-KLS2-EMR-7.62-XXP-X
 L - KLS2-EMR-7.62-XXP-X
 RoHS
 Terminal Block
 Pitch: 7.62mm
 No. of (02 ~ 24) Pin
 Color:
 1=Gray 2=Blue 3=Black
 4=Green 5=Orange 6=Red
 7=Transp 8=Yellow 9=White

ANGLE TOLERANCE	PROJECTION	Description:
±3°		Pitch 7.62mm Pluggable Terminal Block,Socket
GENERAL TOLERANCE	UNITS	mm
0 ~ 30	±0.50	SHEET SIZE
30 ~ 60	±0.75	Draw:
60 ~ 90	±1.00	Check:
		WuHao
		Daniel
		2024-09-26
		2024-09-26
		KLS
		NingBo KLS ELECTRONIC CO.,LTD.

