

1 RoHS Compliance

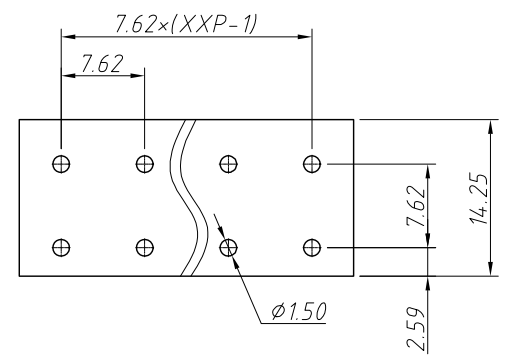
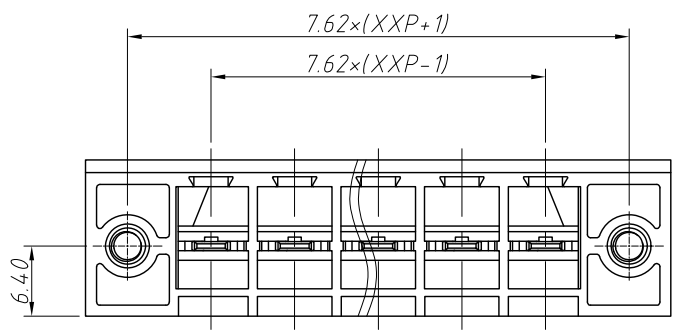
REV	SYM	Revision Record	Appr.	Date
V0	KLS02006	New Version Release	WuHao	2024-11-07

Electrical Characteristics	UL	IEC
Rated Voltage	300V	400V
Rated Current	30A	20A
Withstand Voltage	1600V/1 min	6.0 KV

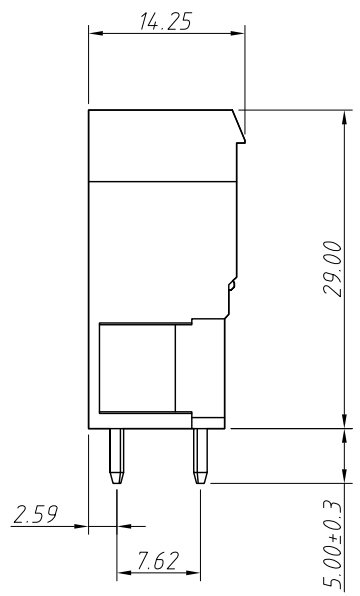
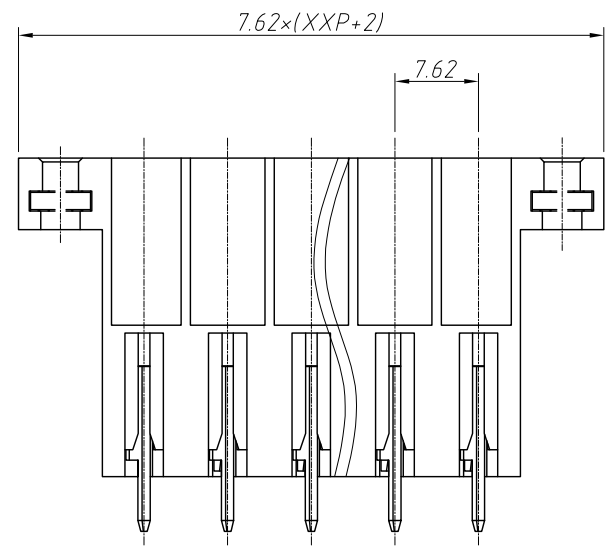
Material and other:
 Housing:PA66, UL 94 V-0
 Pin Header:Copper Alloy,Sn Plated
 Nut:Copper Alloy,M3
 Operating Temperature:-40°C ~ +105°C
 Soldering Temperature:+260°C For 5 Sec

Order Information
 L-KLS2-EMMV-7.62-XXP-X

RoHS
 Terminal Block
 Pitch: 7.62mm
 No. of (02~24) Pin
 Color:
 1=Gray 2=Blue 3=Black
 4=Green 5=Orange 6=Red
 7=Transp 8=Yellow 9=White



Recommended PCB Layout



ANGLE TOLERANCE	PROJECTION	Description:	Pitch 7.62mm Terminal Block	
±3°				
GENERAL TOLERANCE	UNITS	mm	KLS P/N:	L-KLS2-EMMV-7.62-XXP-X
0~30	±0.50	SHEET SIZE	A4	
30~60	±0.75	Draw:	WuHao	2024-11-07
60~90	±1.00	Check:	Daniel	2024-11-07

