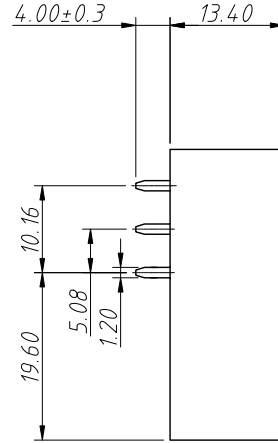
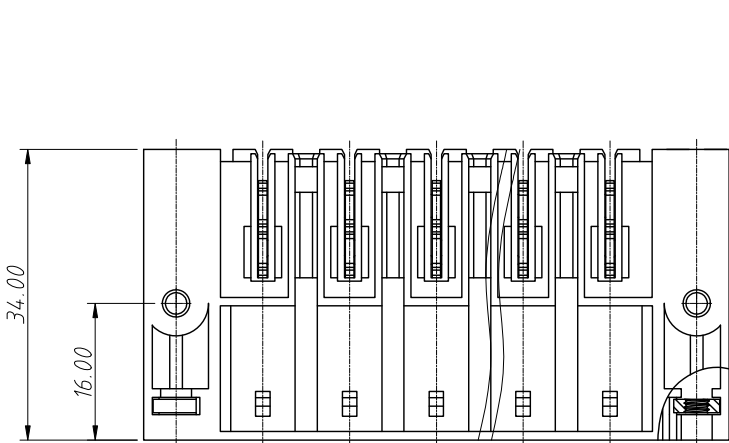


1
RoHS Compliance

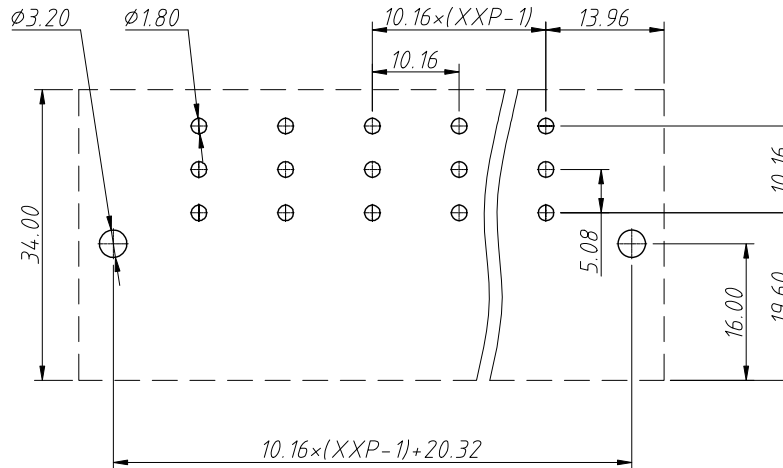
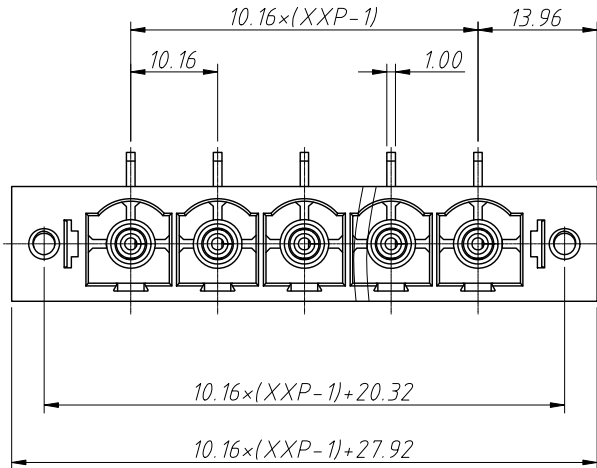
REV	SYM	Revision Record	Appr.	Date
V0	KLS02006	New Version Release	WuHao	2024-09-27

Electrical Characteristics	UL	IEC
Rated Voltage	300V	1000V
Rated Current	55A	76A
Withstand Voltage	1600V/1 min	8.0KV



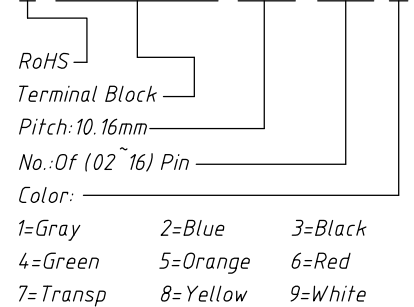
Material and other:
Housing:PA66, UL94V-0
Pin:Copper Alloy,Sn Plated
Nut:Copper Alloy,M3/Zn Plated
Operating Temperature:-40°C~+105°C
Soldering Temperature:260°C /5S

Recommended PCB Layout



Order Information

L-KLS2-EMMR-10.16-XXP-X



ANGLE TOLERANCE		PROJECTION		Description:	
±3°				Pitch 10.16mm Pluggable Terminal Block,Socket	
GENERAL TOLERANCE		UNITS	mm	KLS P/N:	
0~30	±0.50	SHEET SIZE	A4	L-KLS2-EMMR-10.16-XXP-X	
30~60	±0.75	Draw:	WuHao	2024-09-27	
60~90	±1.00	Check:	Daniel	2024-09-27	

NingBo KLS ELECTRONIC CO.,L TD.