

1
RoHS Compliance

2

3

4

5

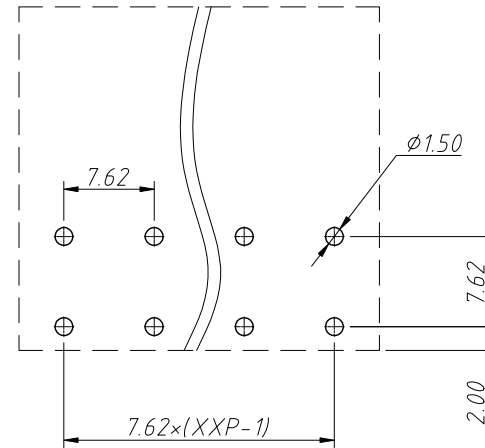
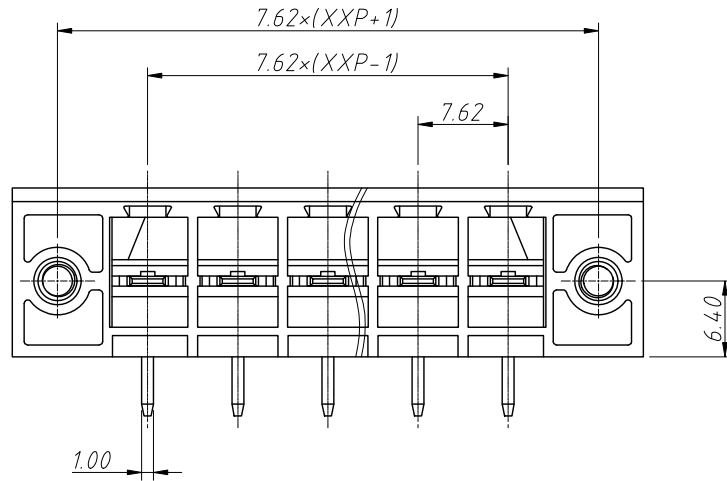
6

7

8

REV	SYM	Revision Record	Appr.	Date
V0	KLS02006	New Version Release	WuHao	2024-09-26

Electrical Characteristics	UL	IEC
Rated Voltage	300V	400V
Rated Current	30A	20A
Withstand Voltage	1600V/1 min	6.0KV



Recommended PCB Layout

Material and other:

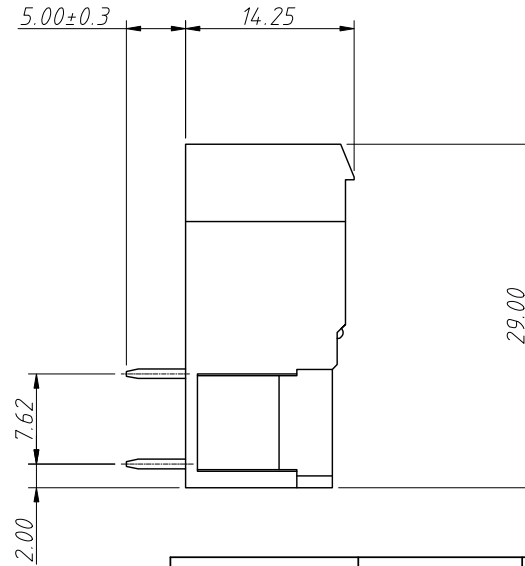
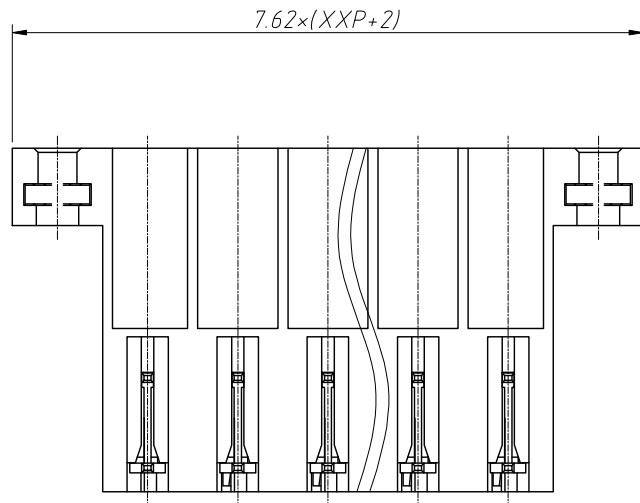
Housing: PA66, UL 94V-0

Pin: Copper Alloy, Sn Plated

NUT: Copper Alloy, M3

Operating Temperature: -40°C ~ +105°C

Soldering Temperature: 260°C / 5S



Order Information

L-KLS2-EMMR-7.62-XXP-X

RoHS

Terminal Block

Pitch: 7.62mm

No. of (02 ~ 24) Pin

Color:

- 1=Gray 2=Blue 3=Black
- 4=Green 5=Orange 6=Red
- 7=Transp 8=Yellow 9=White

ANGLE TOLERANCE	PROJECTION	Description:
±3°		Pitch 7.62mm Pluggable Terminal Block, Socket
GENERAL TOLERANCE	UNITS	mm
0 ~ 30	±0.50	
30 ~ 60	±0.75	
60 ~ 90	±1.00	
SHEET SIZE	A4	
Draw:	WuHao	2024-09-26
Check:	Daniel	2024-09-26
KLS ELECTRONIC		NingBo KLS ELECTRONIC CO., L TD.

1

2

3

4

5

6

7

8