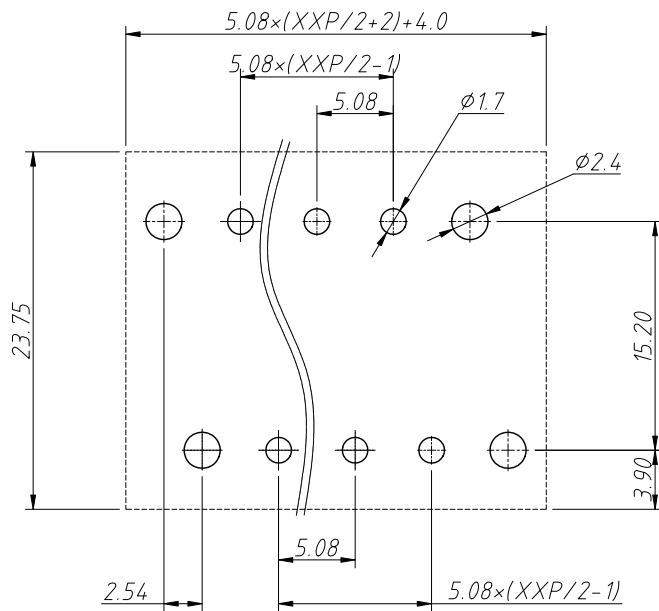
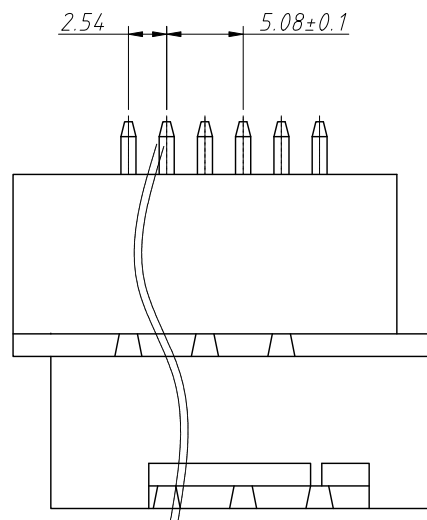


RoHS Compliance

REV	SYM	Revision Record	Appr.	Date
V0	KLS02006	New Version Release	WuHao	2024-09-25



Recommended PCB Layout



Electrical Characteristics	UL	IEC
Rated Voltage	300V	450V
Rated Current	15A	17.5A
Withstand Voltage	AC2000V/1 min	---

Material and other:

Housing:PA66,UL 94V-0

Pin Header:Brass,Tin Plated

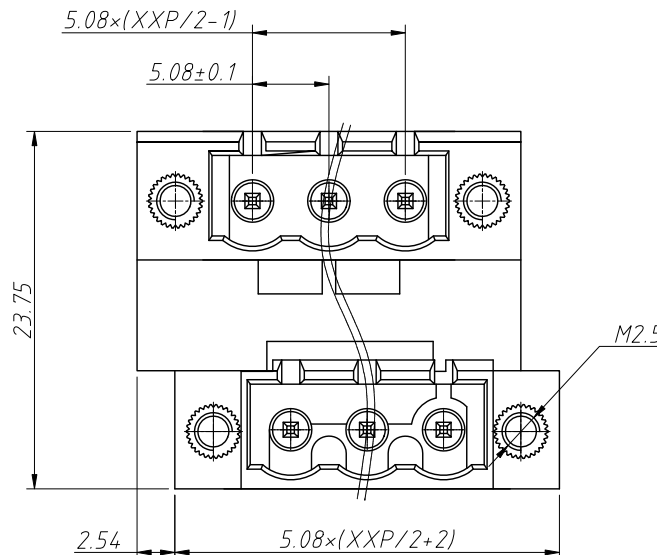
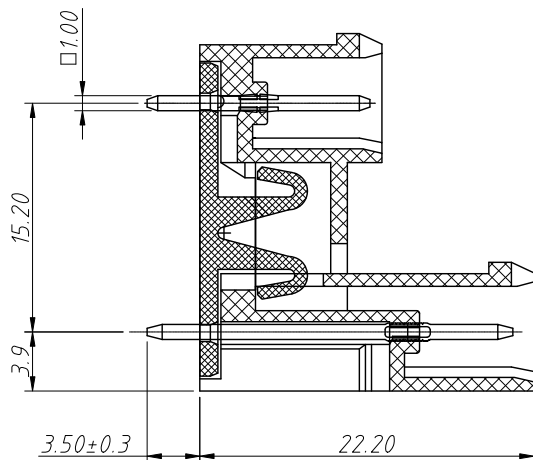
Nut:Brass

Contact Resistance:20mΩ

Insulation Resistance:500MΩ/DC500V

Temp. Range:-40°C ~ +105°C

MAX Soldering:+250°C for 5 Sec



Order Information

L-KLS2-EDKIM-5.08-XXP-X

RoHS

Terminal Block

Pitch:5.08mm

No.:Of (04~48)Pin

Color:

- 1=Gray 2=Blue 3=Black
- 4=Green 5=Orange 6=Red
- 7=Transp 8=Yellow 9=White

ANGLE TOLERANCE	PROJECTION	Description:
±3°		Pitch 5.08mm Pluggable Terminal Block,Socket
GENERAL TOLERANCE	UNITS	mm
0~30	±0.50	
30~60	±0.75	
60~90	±1.00	
SHEET SIZE	A4	
Draw:	WuHao	2024-09-25
Check:	Daniel	2024-09-25
KLS ELECTRONIC		NingBo KLS ELECTRONIC CO.,L TD.