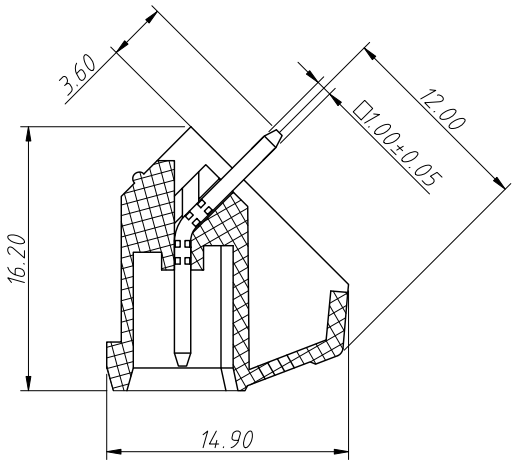
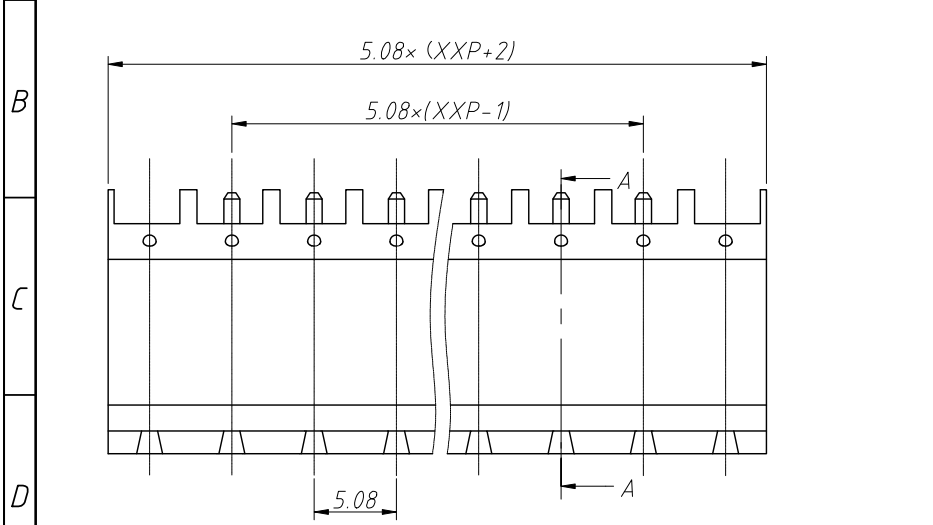


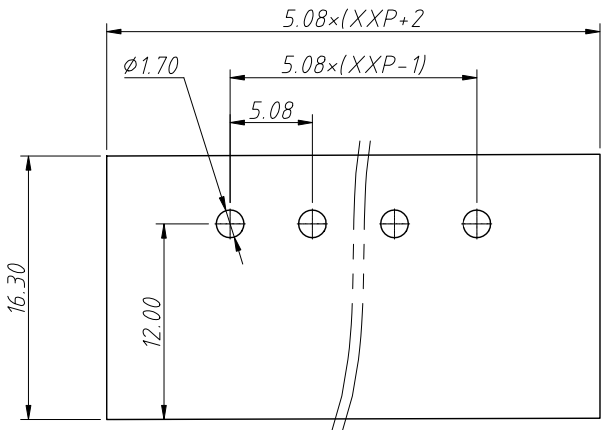
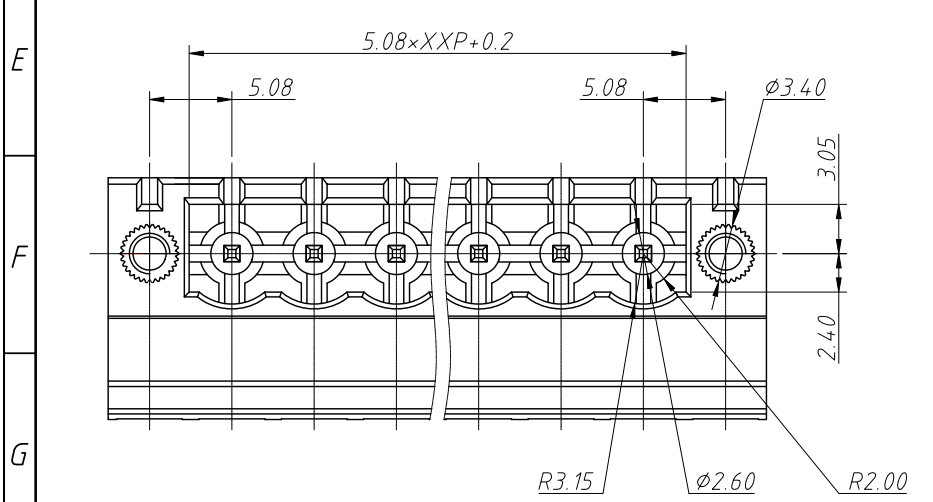
1  
RoHS Compliance

REV	SYM	Revision Record	Appr.	Date
V0	KLS02006	New Version Release	WuHao	2024-10-30



Electrical Characteristics	UL	IEC
Rated Voltage	300V	450V
Rated Current	15A	20A
Withstand Voltage	AC2000V/1 min	---

Material and other:  
 Housing:PA66, UL 94V-0  
 Pin Header:Brass, Tin Plated  
 Nut:Brass,M2.5  
 Temp.Range:-40°C ~ +105°C  
 Soldering:+250°C For 5 Sec Max



Order Information  
 L-KLS2-EDCYM-5.08-XXP-4 09

RoHS  
 Terminal Block  
 Pitch:5.08mm  
 No.:Of (02~24) Pin  
 Color:

1=Gray	2=Blue	3=Black
4=Green	5=Orange	6=Red
7=Transp	8=Yellow	9=White

Product Code:00~99

Recommended PCB Layout

ANGLE TOLERANCE	PROJECTION	Description:
±3°		Pitch 5.08mm Terminal Block
GENERAL TOLERANCE	UNITS	KLS P/N:
0~30 ±0.50	mm	L-KLS2-EDCYM-5.08-XXP-409
30~60 ±0.75	SHEET SIZE	A4
60~90 ±1.00	Draw:	WuHao 2024-10-30
	Check:	Daniel 2024-10-30

