

Material
 Housing: PA66, UL94V-0
 Pin header: Brass, Tin plated

Electrical
 Rated voltage: 300V
 Rated current: 15A
 Contact Resistance: 20 mΩ
 Insulation resistance: 500MΩ/DC500V
 Withstand voltage: AC2000V / 1 min

Mechanical
 Temp. Range: -40 °C ~ +105 °C

Order Information

L-KLS2-EDY-5.00-XXP-4 00
 RoHS
 Terminal Block
 Pitch
 No.: of Pole
 Color: 4- Green
 Product Code: 00~99

GENERAL TOLERANCE		ANGLE TOLERANCE		Description:	
X. ±0.60		X. ±5°		Pluggable Terminal Block 5.00MM	
.X ±0.38		.X ±3°			
.XX ±0.25		.XX ±2°		KLS P/N:	KLS2-EDY-5.00-XXP-4-00
Draw by	2015-09-01	PROJECTION			NingBo KLS ELECTRONIC CO.,L TD.
Check by	2015-09-15	UNITS	mm		
SCALE		SHEET SIZE	A4		

1
RoHS Compliance

2

3

4

5

6

7

8

A

B

C

D

E

F

G

H

A

B

C

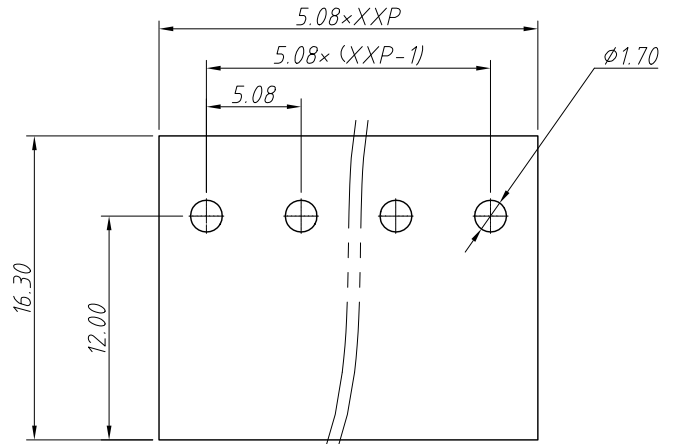
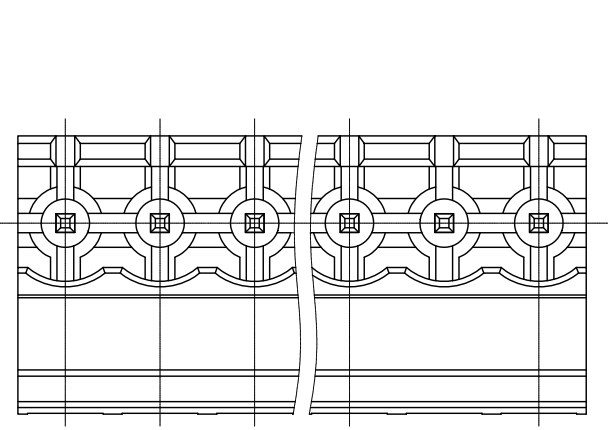
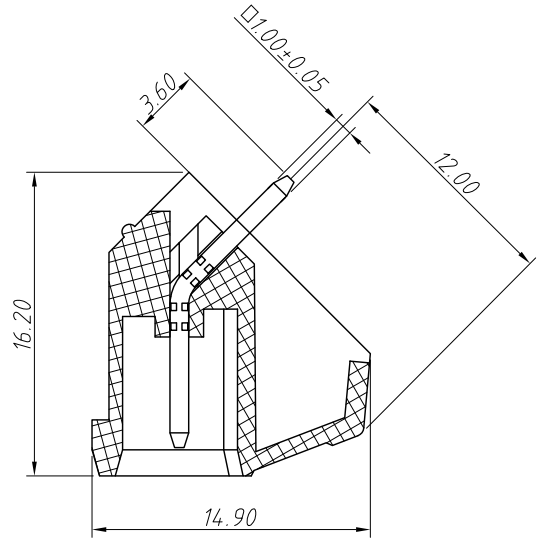
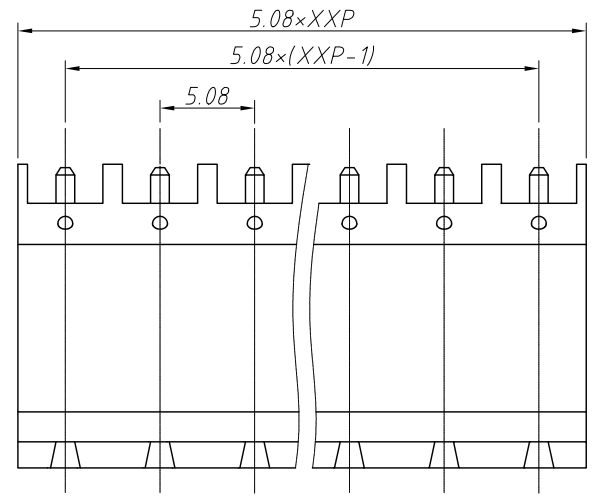
D

E

F

G

H



Recommended PCB Layout

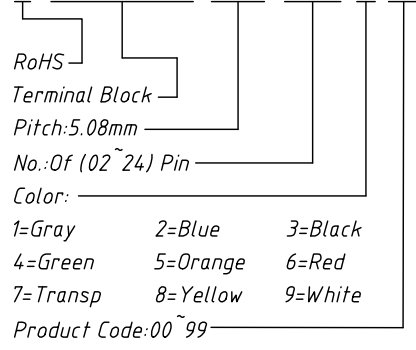
REV	SYM	Revision Record	Appr.	Date
V0	KLS02006	New Version Release	WuHao	2024-11-06

Electrical Characteristics	UL	IEC
Rated Voltage	300V	450V
Rated Current	15A	20A
Withstand Voltage	AC2000V/1 min	---

Material and other:
Housing:PA66, UL 94V-0
Pin Header:Brass, Tin Plated
Temp.Range:-40°C ~ +105°C
Soldering:+250°C For 5 Sec

Order Information

L-KLS2-EDY-5.08-XXP-4 09



ANGLE TOLERANCE	PROJECTION	Description:	Pitch 5.08mm Terminal Block	
±3°				
GENERAL TOLERANCE	UNITS	mm	KLS P/N:	L-KLS2-EDY-5.08-XXP-409
0~30	±0.50	SHEET SIZE	A4	
30~60	±0.75	Draw:	WuHao	2024-11-06
60~90	±1.00	Check:	Daniel	2024-11-06

