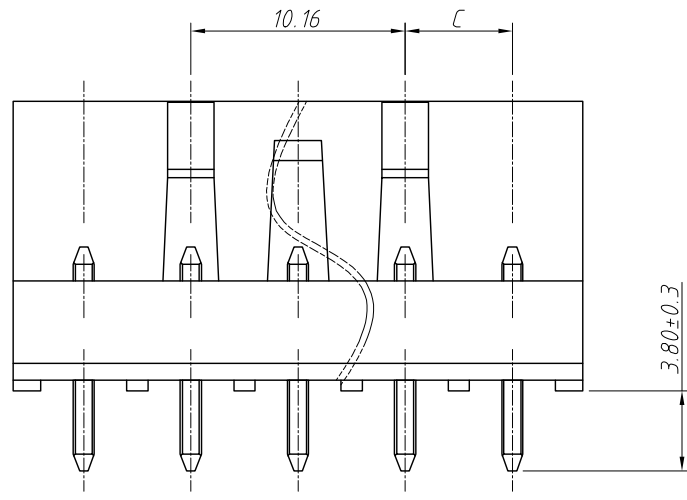
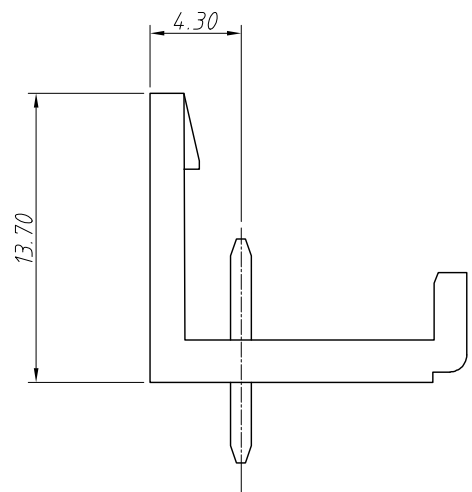
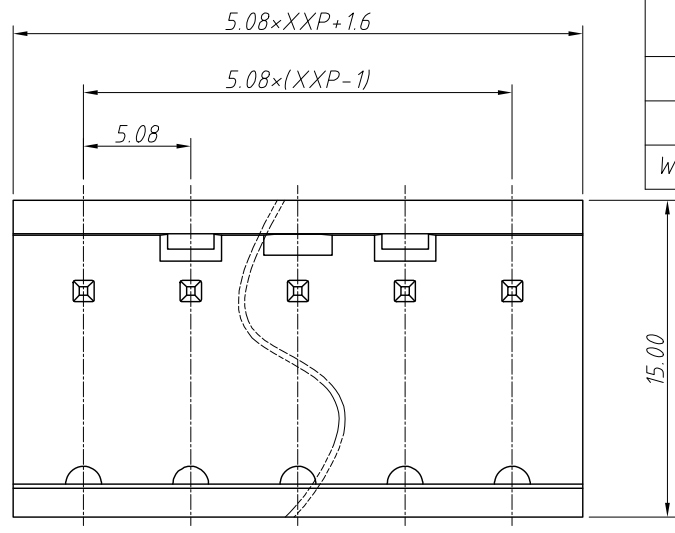
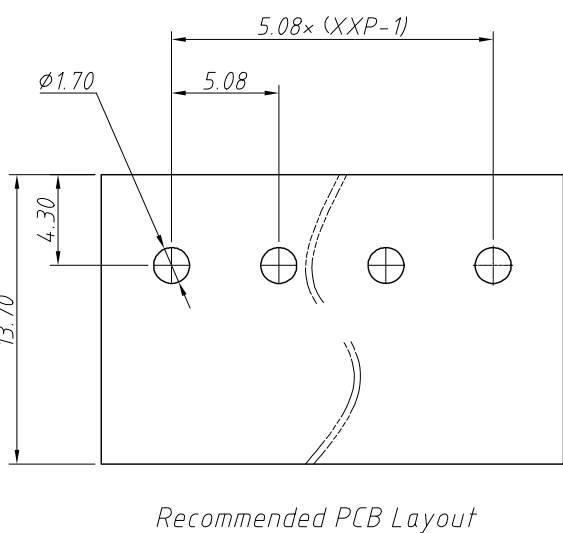


| | |
|-----------------|-------------------|
| 1 | |
| RoHS Compliance | |
| A | Harness Dimension |
| | P C(mm) |
| | 2 0.00 |
| | 3 5.08 |
| B | 4 5.08 |
| | 5 5.08 |
| | 6 10.16 |
| C | 7 10.16 |
| | 8 15.24 |
| | 9 15.24 |
| | 10 20.32 |
| D | 11 20.32 |
| | 12 25.40 |
| | 13 25.40 |
| | 14 30.48 |
| | 15 30.48 |
| E | 16 35.56 |
| | 17 35.56 |
| | 18 40.64 |
| | 19 40.64 |
| F | 20 45.72 |
| | 21 45.72 |
| | 22 50.80 |
| | 23 50.80 |
| | 24 55.88 |

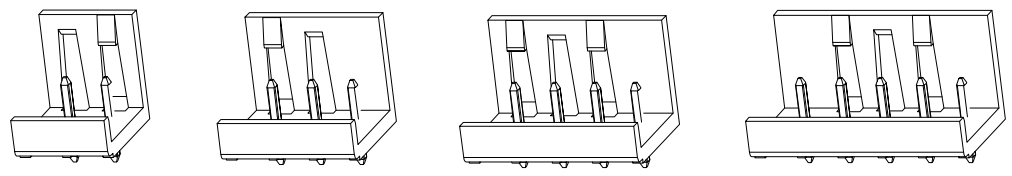


| | | | | |
|----------------------------|----------|---------------------|-------|------------|
| 7 | | 8 | | |
| REV | SYM | Revision Record | Appr. | Date |
| V0 | KLS02006 | New Version Release | WuHao | 2024-09-25 |
| Electrical Characteristics | | UL | IEC | |
| Rated Voltage | | 300V | 250V | |
| Rated Current | | 18A | 15A | |
| Withstand Voltage | | 1600V/1 min | 4.0KV | |

Material and other:
Housing: PA66, UL 94V-0
Pin 1: Copper Alloy, Sn Plated
Operating Temperature: -40°C ~ +105°C

Order Information
L-KLS2-EDGJ-5.08-XXP-X

RoHS
Terminal Block
Pitch: 5.08mm
No.: Of (02~24) Pin
Color:
1=Gray 2=Blue 3=Black
4=Green 5=Orange 6=Red
7=Transp 8=Yellow 9=White



| | | | |
|-------------------|------------|---|------------------------|
| ANGLE TOLERANCE | PROJECTION | Description: | |
| ±3° | | Pitch 5.08mm Pluggable Terminal Block, Socket | |
| GENERAL TOLERANCE | UNITS | mm | KLS P/N: |
| 0°~30° ±0.50 | SHEET SIZE | A4 | L-KLS2-EDGJ-5.08-XXP-X |
| 30°~60° ±0.75 | Draw: | WuHao | 2024-09-25 |
| 60°~90° ±1.00 | Check: | Daniel | 2024-09-25 |

